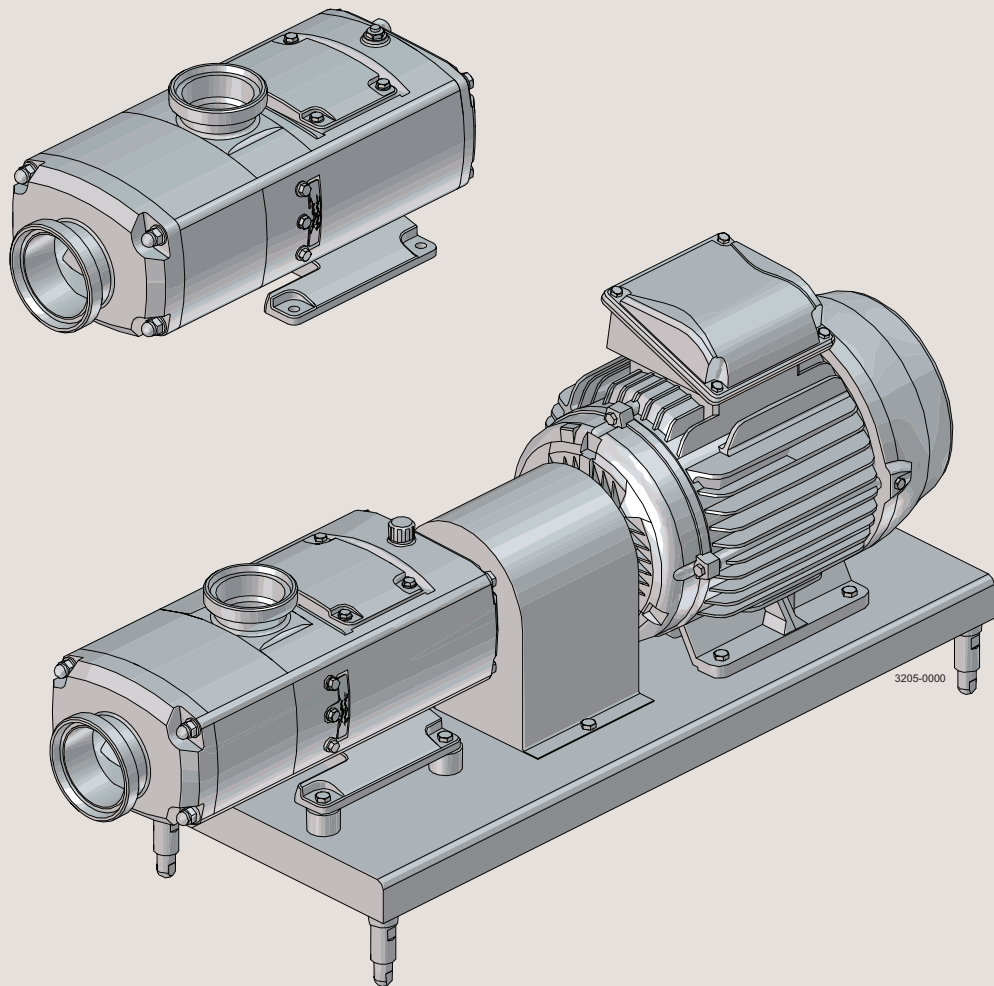




## Spare Parts

### OS Twin Screw Pump Range



100000821-EN5

2020-06

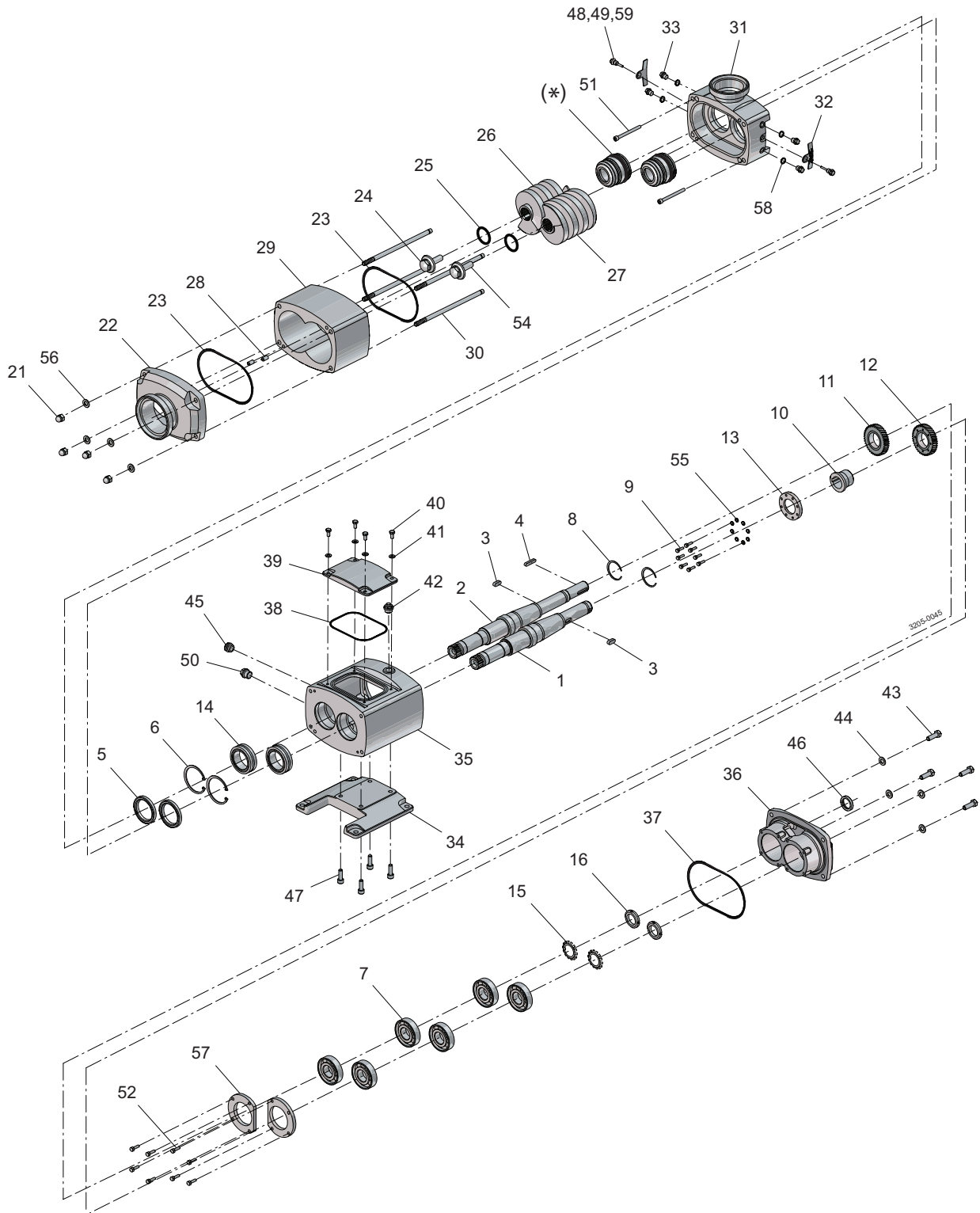
Original manual



---

*The information herein is correct at the time of issue but may be subject to change without prior notice*

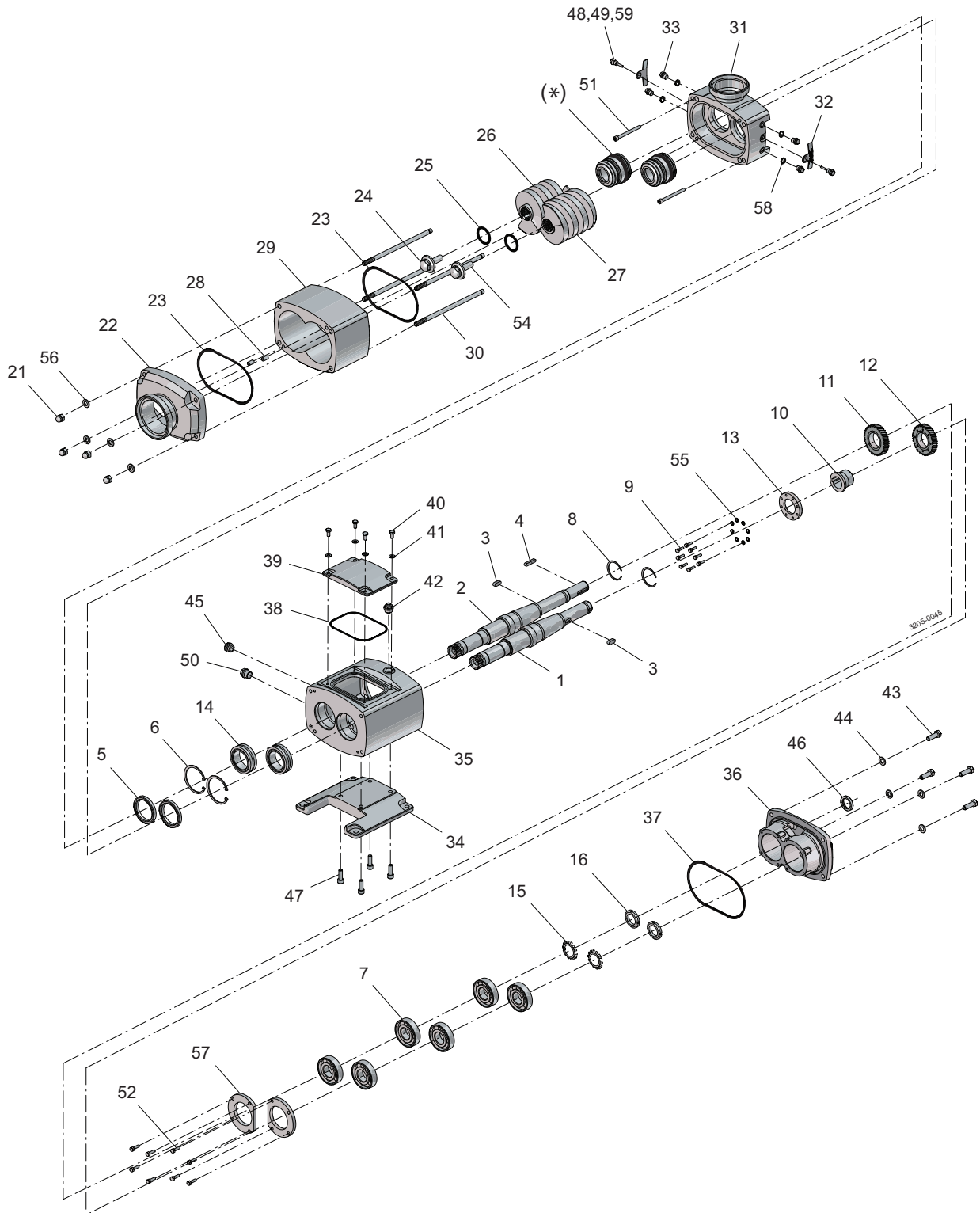
|  |    |
|--|----|
| 1. OS 22-24-26 Twin Screw Pump Range .....           | 4  |
| 2. OS 32-34-36 Twin Screw Pump Range .....           | 8  |
| 3. OS 42-44-46 Twin Screw Pump Range .....           | 12 |
| 4. Cartridge Seal .....                              | 16 |
| 5. Flushed Conversion Kits .....                     | 18 |
| 6. Twin Screw Pump Range - Single Seal .....         | 20 |
| 7. Twin Screw Pump Range - Single Flushed Seal ..... | 24 |
| 8. Twin Screw Pump Range - Double Seal .....         | 28 |



\* Cartridge Seal

OS 22-24-26 Twin Screw Pump Range

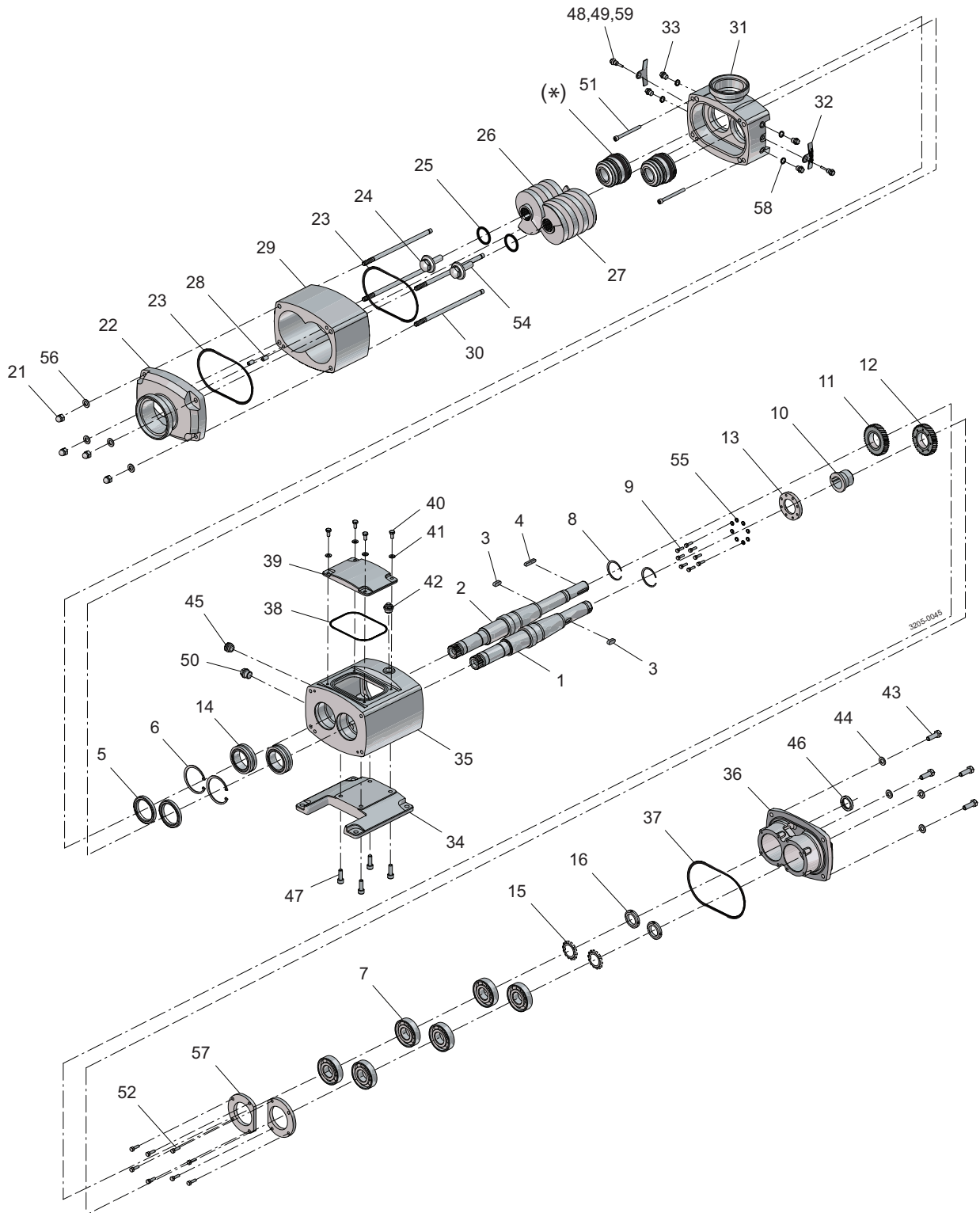
| Pos | Qty | Denomination                            | Item no.<br>OS22 | Item no.<br>OS24 | Item no.<br>OS26 |
|-----|-----|---|------------------|------------------|------------------|
| 1   | 1   | Auxiliary Shaft .....                   | 9650200101       | 9650200101       | 9650200101       |
| 2   | 1   | Drive Shaft .....                       | 9650200201       | 9650200201       | 9650200201       |
| 3   | 1   | Gear Key .....                          | 9650200301       | 9650200301       | 9650200301       |
| 4   | 1   | Drive Shaft Key .....                   | 9650200401       | 9650200401       | 9650200401       |
| 5   | 2   | Front Lip Seal .....                    | 9650200501       | 9650200501       | 9650200501       |
| 6   | 2   | Circlip .....                           | 9650200601       | 9650200601       | 9650200601       |
| 7   | 6   | Ball Bearing .....                      | 9650200701       | 9650200701       | 9650200701       |
| 8   | 2   | Circlip .....                           | 9650200801       | 9650200801       | 9650200801       |
| 9   | 8   | Gear Sleeve Bolts .....                 | 9650200901       | 9650200901       | 9650200901       |
| 10  | 1   | Gear Sleeve .....                       | 9650201001       | 9650201001       | 9650201001       |
| 11  | 1   | Timing Gear Drive Shaft .....           | 9650201101       | 9650201101       | 9650201101       |
| 12  | 1   | Timing Gear Auxilliary Shaft .....      | 9650201201       | 9650201201       | 9650201201       |
| 13  | 1   | Timing Gear Clamp Plate .....           | 9650201301       | 9650201301       | 9650201301       |
| 14  | 2   | Needle Bearing .....                    | 9650201401       | 9650201401       | 9650201401       |
| 15  | 2   | Tab Washer .....                        | 9650201501       | 9650201501       | 9650201501       |
| 16  | 2   | Bearing Nut .....                       | 9650201601       | 9650201601       | 9650201601       |
| 21  | 4   | Front Cover Nut .....                   | 9650202101       | 9650202101       | 9650202101       |
| 22  | 1   | Pump Cover, DIN11851 80mm .....         | 9650202201       | 9650202201       | 9650202201       |
|     | 1   | Front Cover, DIN11851 65m .....         | 9650202202       | 9650202202       | 9650202202       |
|     | 1   | Pump Cover, DIN11851 50mm .....         | 9650202203       | 9650202203       | 9650202203       |
|     | 1   | Pump Cover, DIN1185 80m .....           | 9650202204       | 9650202204       | 9650202204       |
|     | 1   | Pump Cover, Tri-Clamp 65mm .....        | 9650202205       | 9650202205       | 9650202205       |
|     | 1   | Pump Cover, Tri-Clam 50mm .....         | 9650202206       | 9650202206       | 9650202206       |
|     | 1   | Pump Cover, RJT 80mm .....              | 9650202207       | 9650202207       | 9650202207       |
|     | 1   | Pump Cover, RJT 65mm .....              | 9650202208       | 9650202208       | 9650202208       |
|     | 1   | Pump Cover, RJT 50mm .....              | 9650202209       | 9650202209       | 9650202209       |
|     | 1   | Pump Cover, RJT 80mm .....              | 9650202210       | 9650202210       | 9650202210       |
|     | 1   | Pump Cover, SMS 65mm .....              | 9650202211       | 9650202211       | 9650202211       |
|     | 1   | Pump Cover, SMS 50mm .....              | 9650202212       | 9650202212       | 9650202212       |
|     | 1   | Pump Cover, IDF 80mm .....              | 9650202213       | 9650202213       | 9650202213       |
|     | 1   | Pump Cover, IDF 65mm .....              | 9650202214       | 9650202214       | 9650202214       |
|     | 1   | Pump Cover, IDF 50mm .....              | 9650202215       | 9650202215       | 9650202215       |
|     | 1   | Pump Cover, DIN11864-1-A 80mm .....     | 9650202216       | 9650202216       | 9650202216       |
|     | 1   | Pump Cover, DIN11864-1-A 65mm .....     | 9650202217       | 9650202217       | 9650202217       |
|     | 1   | Pump Cover, DIN11864-1-A 50mm .....     | 9650202218       | 9650202218       | 9650202218       |
|     | 1   | Pump Cover, DIN11864-1-C 80mm .....     | 9650202219       | 9650202219       | 9650202219       |
|     | 1   | Pump Cover, DIN11864-1-C 65mm .....     | 9650202220       | 9650202220       | 9650202220       |
|     | 1   | Pump Cover, DIN11864-1-C 50mm .....     | 9650202221       | 9650202221       | 9650202221       |
|     | 1   | Pump Cover, DIN11864-2-A 80mm .....     | 9650202222       | 9650202222       | 9650202222       |
|     | 1   | Pump Cover, DIN11864-2-A 65mm .....     | 9650202223       | 9650202223       | 9650202223       |
|     | 1   | Pump Cover, DIN11864-2-A 50mm .....     | 9650202224       | 9650202224       | 9650202224       |
|     | 1   | Pump Cover, DIN11864-2-C 80mm .....     | 9650202225       | 9650202225       | 9650202225       |
|     | 1   | Pump Cover, DIN11864-2-C 65mm .....     | 9650202226       | 9650202226       | 9650202226       |
|     | 1   | Pump Cover, DIN11864-2-C 50mm .....     | 9650202227       | 9650202227       | 9650202227       |
|     | 1   | Pump Cover, RECT .....                  | 9650202299       | 9650202299       | 9650202299       |
| 23  | 2   | Pump Casing Elastomer, EPDM .....       | 9650202301       | 9650202301       | 9650202301       |
|     | 2   | Pump Casing Elastomer, FPM .....        | 9650202302       | 9650202302       | 9650202302       |
|     | 2   | Pump Casing Elastomer, FPPM .....       | 9650202303       | 9650202303       | 9650202303       |
| 24  | 2   | Feed Screw Nut, OS20 .....              | 9650202401       | 9650202401       | 9650202401       |
| 25  | 2   | Feed Screw Elastomer, EPDM .....        | 9650202501       | 9650202501       | 9650202501       |
|     | 2   | Feed Screw Elastomer, FPM .....         | 9650202502       | 9650202502       | 9650202502       |
|     | 2   | Feed Screw Elastomer, FPPM .....        | 9650202503       | 9650202503       | 9650202503       |
| 26  | 1   | Feed Screw, Left Stanard 1.4404 .....   | 9650222601       | 9650242601       | 9650262601       |
|     | 1   | Feed Screw, Left Hardened 1.4404 .....  | 9650222602       | 9650242602       | 9650262602       |
| 27  | 1   | Feed Screw, Right Standard 1.4404 ..... | 9650222701       | 9650242701       | 9650262701       |
|     | 1   | Feed Screw, Right Hardened 1.4404 ..... | 9650222702       | 9650242702       | 9650262702       |
| 28  | 6   | Pump Casing Dowels, 10h8x20 .....       | 9650002801       | 9650002801       | 9650002801       |
| 29  | 1   | Pump Casing, 1.4404 .....               | 9650202901       | 9650202901       | 9650202901       |



\* Cartridge Seal

OS 22-24-26 Twin Screw Pump Range

| Pos  | Qty | Denomination                    | Item no.<br>OS22 | Item no.<br>OS24 | Item no.<br>OS26 |
|------|-----|---------------------------------|------------------|------------------|------------------|
| 30   | 4   | Pump Casing Studs, M10x200      | 9650203001       | 9650203001       | 9650203001       |
| 31   | 1   | Seal Housing, DIN11851 65mm     | 9650203101       | 9650203101       | 9650203101       |
|      | 1   | Seal Housing, DIN11851 50mm     | 9650203102       | 9650203102       | 9650203102       |
|      | 1   | Seal Housing, DIN11851 40mm     | 9650203103       | 9650203103       | 9650203103       |
|      | 1   | Seal Housing, Tri-Clamp 65mm    | 9650203104       | 9650203104       | 9650203104       |
|      | 1   | Seal Housing, Tri-Clamp 50mm    | 9650203105       | 9650203105       | 9650203105       |
|      | 1   | Seal Housing, Tri-Clamp 40mm    | 9650203106       | 9650203106       | 9650203106       |
|      | 1   | Seal Housing, RJT 65mm          | 9650203107       | 9650203107       | 9650203107       |
|      | 1   | Seal Housing, RJT 50mm          | 9650203108       | 9650203108       | 9650203108       |
|      | 1   | Seal Housing, RJT 40mm          | 9650203109       | 9650203109       | 9650203109       |
|      | 1   | Seal Housing, SMS 65mm          | 9650203110       | 9650203110       | 9650203110       |
|      | 1   | Seal Housing, SMS 50mm          | 9650203111       | 9650203111       | 9650203111       |
|      | 1   | Seal Housing, SMS 40mm          | 9650203112       | 9650203112       | 9650203112       |
|      | 1   | Seal Housing, IDF 65mm          | 9650203113       | 9650203113       | 9650203113       |
|      | 1   | Seal Housing, IDF 50mm          | 9650203114       | 9650203114       | 9650203114       |
|      | 1   | Seal Housing, IDF 40mm          | 9650203115       | 9650203115       | 9650203115       |
|      | 1   | Seal Housing, DIN11864-1-A 65mm | 9650203116       | 9650203116       | 9650203116       |
|      | 1   | Seal Housing, DIN11864-1-A 50mm | 9650203117       | 9650203117       | 9650203117       |
|      | 1   | Seal Housing, DIN11864-1-A 40mm | 9650203118       | 9650203118       | 9650203118       |
|      | 1   | Seal Housing, DIN11864-1-C 65mm | 9650203119       | 9650203119       | 9650203119       |
|      | 1   | Seal Housing, DIN11864-1-C 50mm | 9650203120       | 9650203120       | 9650203120       |
|      | 1   | Seal Housing, DIN11864-1-C 40mm | 9650203121       | 9650203121       | 9650203121       |
|      | 1   | Seal Housing, DIN11864-2-A 65mm | 9650203122       | 9650203122       | 9650203122       |
|      | 1   | Seal Housing, DIN11864-2-A 50mm | 9650203123       | 9650203123       | 9650203123       |
|      | 1   | Seal Housing, DIN11864-2-A 40mm | 9650203124       | 9650203124       | 9650203124       |
|      | 1   | Seal Housing, DIN11864-2-C 65mm | 9650203125       | 9650203125       | 9650203125       |
|      | 1   | Seal Housing, DIN11864-2-C 50mm | 9650203126       | 9650203126       | 9650203126       |
|      | 1   | Seal Housing, DIN11864-2-C 40mm | 9650203127       | 9650203127       | 9650203127       |
| 32   | 2   | Gland Guard                     | 9650203201       | 9650203201       | 9650203201       |
| 33   | 4   | Flush Plugs                     | 9650203301       | 9650203301       | 9650203301       |
|      | 4   | Flush Caps                      | 9650303302       | 9650303302       | 9650303302       |
| 34   | 1   | Foot                            | 9650203401       | 9650203401       | 9650203401       |
| 35   | 1   | Gearbox                         | 9650203501       | 9650203501       | 9650203501       |
| 36   | 1   | Gearbox End Cover               | 9650203601       | 9650203601       | 9650203601       |
| 37 • | 1   | Gearbox End Cover O-Ring        | 9650203701       | 9650203701       | 9650203701       |
| 38 • | 1   | Gearbox Top Cover O-Ring        | 9650303801       | 9650303801       | 9650303801       |
| 39   | 1   | Gearbox Top Cover               | 9650203901       | 9650203901       | 9650203901       |
| 40   | 4   | Gearbox Top Cover Bolts         | 9650004001       | 9650004001       | 9650004001       |
| 41   | 4   | Gearbox Top Cover Washers       | 9650004101       | 9650004101       | 9650004101       |
| 42   | 1   | Filler Plug                     | 9650004201       | 9650004201       | 9650004201       |
| 43   | 4   | Gearbox End Cover Bolts         | 9650204301       | 9650204301       | 9650204301       |
| 44   | 4   | Gearbox End Cover Washers       | 9650204401       | 9650204401       | 9650204401       |
| 45   | 1   | Sight Glass                     | 9650004501       | 9650004501       | 9650004501       |
| 46 • | 1   | Rear Lip Seal                   | 9650204601       | 9650204601       | 9650204601       |
| 47   | 4   | Gearbox Foot Screw              | 9650204701       | 9650204701       | 9650204701       |
| 48   | 2   | Gland Guard Plug                | 9650004801       | 9650004801       | 9650004801       |
| 49   | 2   | Seal Pin                        | 9650204901       | 9650204901       | 9650204901       |
| 50   | 1   | Washer Gearbox Plug             | 9650005001       | 9650005001       | 9650005001       |
| 51   | 2   | Cap Screw                       | 9650205101       | 9650205101       | 9650205101       |
| 52   | 8   | Hex Bolt                        | 9650205201       | 9650205201       | 9650205201       |
| 54   | 2   | Stud bolt                       | 9650205401       | 9650205401       | 9650205401       |
| 55   | 1   | Washer                          | 9650205501       | 9650205501       | 9650205501       |
| 56   | 4   | Washer                          | 9650205601       | 9650205601       | 9650205601       |
| 57   | 2   | Bearing Retainer                | 9650205701       | 9650205701       | 9650205701       |
| 58   | 4   | Washer Seal Ring                | 9650005801       | 9650005801       | 9650005801       |
| 59 * | 2   | Gland Guard Screw O Ring, FPM   | 9650005901       | 9650005901       | 9650005901       |
| 60   | 2   | Heating Pipe Union              | 9650306001       | 9650306001       | 9650306001       |
| 61   | 2   | Heating Pipe Elbow              | 9650306101       | 9650306101       | 9650306101       |
| 62   | 1   | Heating Pipe                    | 9650206201       | 9650206201       | 9650206201       |

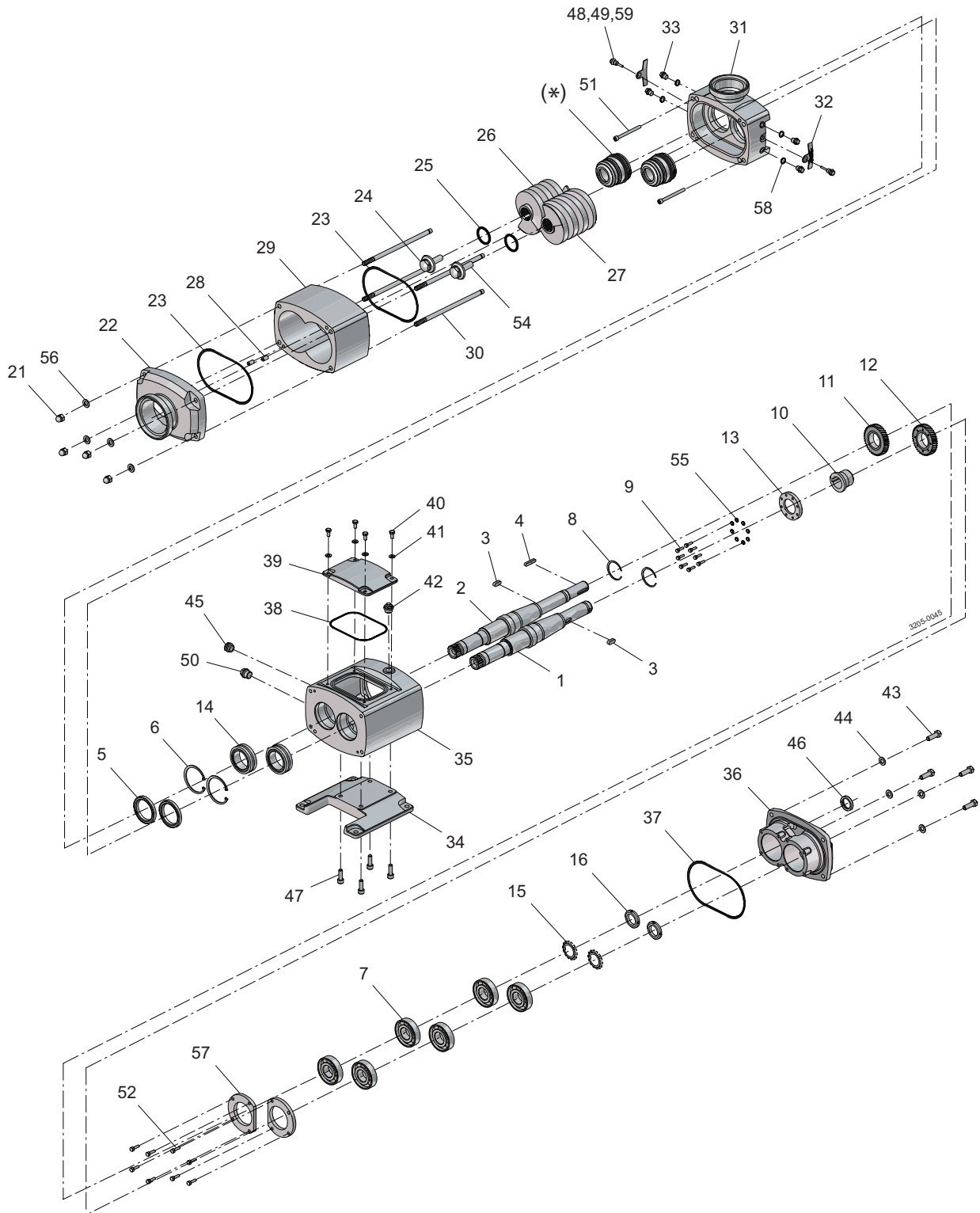


\* Cartridge Seal



OS 32-34-36 Twin Screw Pump Range

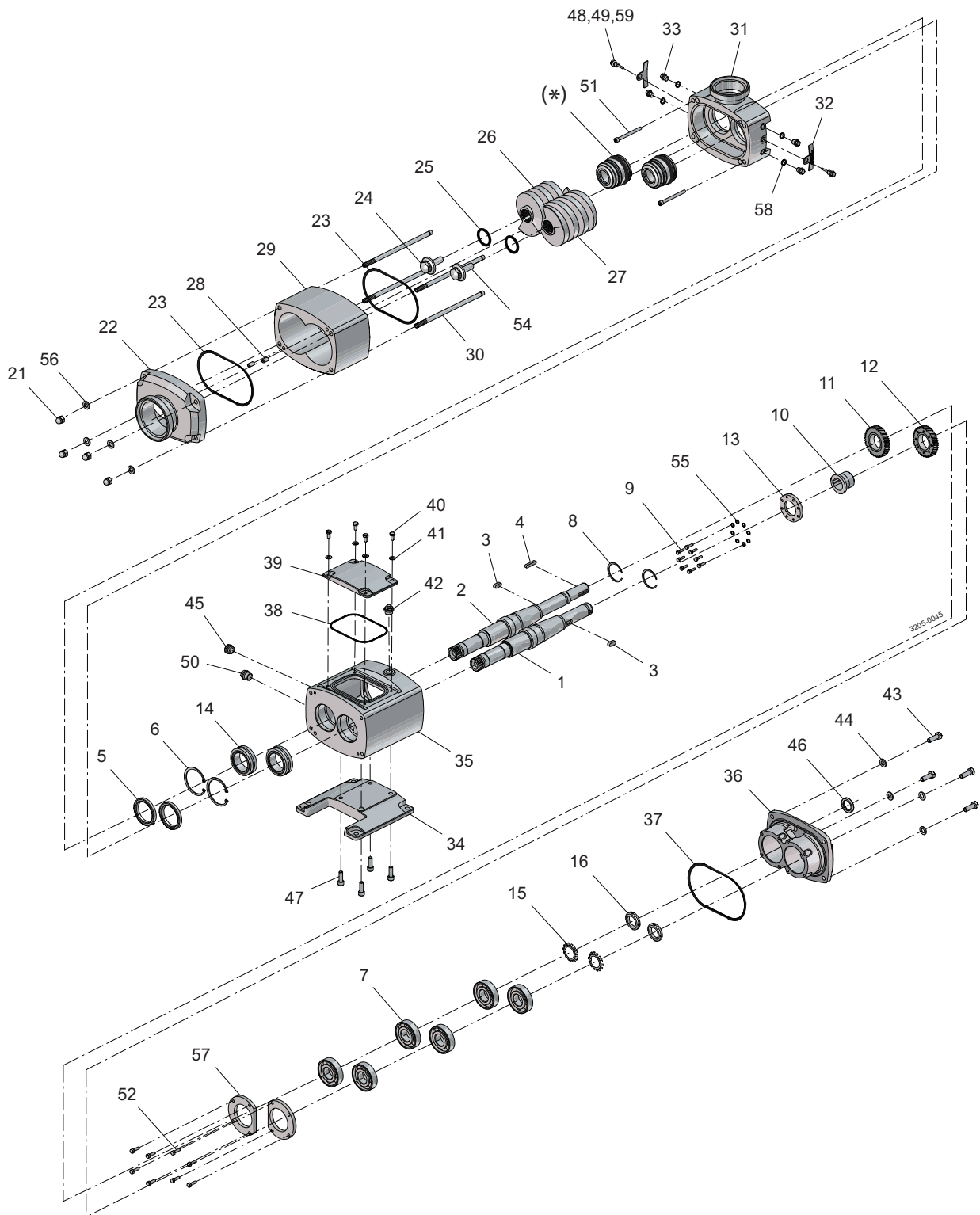
| Pos | Qty | Denomination                      | Item no.   | Item no.   | Item no.   |
|-----|-----|-----------------------------------|------------|------------|------------|
|     |     |                                   | OS32       | OS34       | OS36       |
| 1   | 1   | Auxiliary Shaft                   | 9650300101 | 9650300101 | 9650300101 |
| 2   | 1   | Drive Shaft                       | 9650300201 | 9650300201 | 9650300201 |
| 3   | 1   | Gear Key                          | 9650300301 | 9650300301 | 9650300301 |
| 4   | 1   | Drive Shaft Key                   | 9650300401 | 9650300401 | 9650300401 |
| 5   | 2   | Front Up Seal                     | 9650300501 | 9650300501 | 9650300501 |
| 6   | 2   | Circlip                           | 9650300601 | 9650300601 | 9650300601 |
| 7   | 6   | Ball Bearing                      | 9650300701 | 9650300701 | 9650300701 |
| 8   | 2   | Circlip                           | 9650300801 | 9650300801 | 9650300801 |
| 9   | 8   | Gear Sleeve Bolts                 | 9650300901 | 9650300901 | 9650300901 |
| 10  | 1   | Gear Sleeve                       | 9650301001 | 9650301001 | 9650301001 |
| 11  | 1   | Timing Gear Drive Shaft           | 9650301101 | 9650301101 | 9650301101 |
| 12  | 1   | Timing Gear Auxiliary Shaft       | 9650301201 | 9650301201 | 9650301201 |
| 13  | 1   | Bearing Retainer                  | 9650301301 | 9650301301 | 9650301301 |
| 14  | 2   | Needle Bearing                    | 9650301401 | 9650301401 | 9650301401 |
| 15  | 2   | Tab Washer                        | 9650301501 | 9650301501 | 9650301501 |
| 16  | 2   | Bearing Nut                       | 9650301601 | 9650301601 | 9650301601 |
| 21  | 4   | Pump Cover Nuts                   | 9650302101 | 9650302101 | 9650302101 |
| 22  | 1   | Pump Cover, DIN11851 100mm        | 9650302201 | 9650302201 | 9650302201 |
|     | 1   | Pump Cover, DIN11851 80mm         | 9650302202 | 9650302202 | 9650302202 |
|     | 1   | Pump Cover, Tri-Clamp 100mm       | 9650302203 | 9650302203 | 9650302203 |
|     | 1   | Pump Cover, Tri-Clamp 80mm        | 9650302204 | 9650302204 | 9650302204 |
|     | 1   | Pump Cover, RJT 100mm             | 9650302205 | 9650302205 | 9650302205 |
|     | 1   | Pump Cover, RJT 80mm              | 9650302206 | 9650302206 | 9650302206 |
|     | 1   | Pump Cover, SMS 00mm              | 9650302207 | 9650302207 | 9650302207 |
|     | 1   | Pump Cover, SMS 80mm              | 9650302208 | 9650302208 | 9650302208 |
|     | 1   | Pump Cover, IDF 100mm             | 9650302209 | 9650302209 | 9650302209 |
|     | 1   | Pump Cover, IDF 80mm              | 9650302210 | 9650302210 | 9650302210 |
|     | 1   | Pump Cover, DIN11864-1-A 100mm    | 9650302211 | 9650302211 | 9650302211 |
|     | 1   | Pump Cover, DIN11864-1-A 80mm     | 9650302212 | 9650302212 | 9650302212 |
|     | 1   | Pump Cover, DIN11864-1-C 100mm    | 9650302213 | 9650302213 | 9650302213 |
|     | 1   | Pump Cover, DIN11864-1-C 80mm     | 9650302214 | 9650302214 | 9650302214 |
|     | 1   | Pump Cover, DIN11864-2-A 100mm    | 9650302215 | 9650302215 | 9650302215 |
|     | 1   | Pump Cover, DIN11864-2-A 80mm     | 9650302216 | 9650302216 | 9650302216 |
|     | 1   | Pump Cover, DIN11864-2-C 100mm    | 9650302217 | 9650302217 | 9650302217 |
|     | 1   | Pump Cover, DIN11864-2-C 80mm     | 9650302218 | 9650302218 | 9650302218 |
|     | 1   | Pump Cover, RECT                  | 9650302299 | 9650302299 | 9650302299 |
| 23  | 2   | Pump Casing Elastomer, EPDM       | 9650302301 | 9650302301 | 9650302301 |
|     | 2   | Pump Casing Elastomer, FPM        | 9650302302 | 9650302302 | 9650302302 |
|     | 2   | Pump Casing Elastomer, FPPM       | 9650302303 | 9650302303 | 9650302303 |
| 24  | 2   | Feed Screw Nut, OS20              | 9650302401 | 9650302401 | 9650302401 |
| 25  | 2   | Feed Screw Elastomer, EPDM        | 9650302501 | 9650302501 | 9650302501 |
|     | 2   | Feed Screw Elastomer, FPM         | 9650302502 | 9650302502 | 9650302502 |
|     | 2   | Feed Screw Elastomer, FPPM        | 9650302503 | 9650302503 | 9650302503 |
| 26  | 1   | Feed Screw, Left Standard 1.4404  | 9650322601 | 9650342601 | 9650362601 |
|     | 1   | Feed Screw, Left Hardened 1.4404  | 9650322602 | 9650342602 | 9650362602 |
| 27  | 1   | Feed Screw, Right Standard 1.4404 | 9650322701 | 9650342701 | 9650362701 |
|     | 1   | Feed Screw, Right Hardened 1.4404 | 9650322702 | 9650342702 | 9650362702 |
| 28  | 6   | Pump Casing, Dowels 10h8x20       | 9650002801 | 9650002801 | 9650002801 |
| 29  | 1   | Pump Casing, 1.4404               | 9650302901 | 9650302901 | 9650302901 |
| 30  | 4   | Pump Casing, Studs M10x200        | 9650303001 | 9650303001 | 9650303001 |
| 31  | 1   | Seal Housing, DIN11851 80mm       | 9650303101 | 965030310  | 965030310  |
|     | 1   | Seal Housing, DIN11851 65mm       | 9650303102 | 9650303102 | 9650303102 |
|     | 1   | Seal Housing, Tri-Clamp 80mm      | 9650303103 | 9650303103 | 9650303103 |
|     | 1   | Seal Housing, Tri-Clamp 65mm      | 9650303104 | 9650303104 | 9650303104 |
|     | 1   | Seal Housing, RJT 80mm            | 9650303105 | 9650303105 | 9650303105 |
|     | 1   | Seal Housing, RJT 65mm            | 9650303106 | 9650303106 | 9650303106 |
|     | 1   | Seal Housing, SMS 80mm            | 9650303107 | 9650303107 | 9650303107 |
|     | 1   | Seal Housing, SMS 65mm            | 9650303108 | 9650303108 | 9650303108 |
|     | 1   | Seal Housing, IDF 80mm            | 9650303109 | 9650303109 | 9650303109 |
|     | 1   | Seal Housing, IDF 65mm            | 9650303110 | 9650303110 | 9650303110 |
|     | 1   | Seal Housing, DIN11864-1-A 80mm   | 9650303111 | 9650303111 | 9650303111 |
|     | 1   | Seal Housing, DIN11864-1-A 65mm   | 9650303112 | 9650303112 | 9650303112 |
|     | 1   | Seal Housing, DIN11864-1-C 80mm   | 9650303113 | 9650303113 | 9650303113 |
|     | 1   | Seal Housing, DIN11864-1-C 65mm   | 9650303114 | 9650303114 | 9650303114 |
|     | 1   | Seal Housing, DIN11864-2-A 80mm   | 9650303115 | 9650303115 | 9650303115 |
|     | 1   | Seal Housing, DIN11864-2-A 65mm   | 9650303116 | 9650303116 | 9650303116 |
|     | 1   | Seal Housing, DIN11864-2-C 80mm   | 9650303117 | 9650303117 | 9650303117 |
|     | 1   | Seal Housing, DIN11864-2-C 65mm   | 9650303118 | 9650303118 | 9650303118 |
| 32  | 2   | Gland Guard                       | 9650303201 | 9650303201 | 9650303201 |
| 33  | 4   | Flush Caps                        | 9650203301 | 9650203301 | 9650203301 |
|     | 4   | Flush Caps                        | 9650303302 | 9650303302 | 9650303302 |
| 34  | 1   | Foot                              | 9650303401 | 9650303401 | 9650303401 |



\* Cartridge Seal

OS 32-34-36 Twin Screw Pump Range

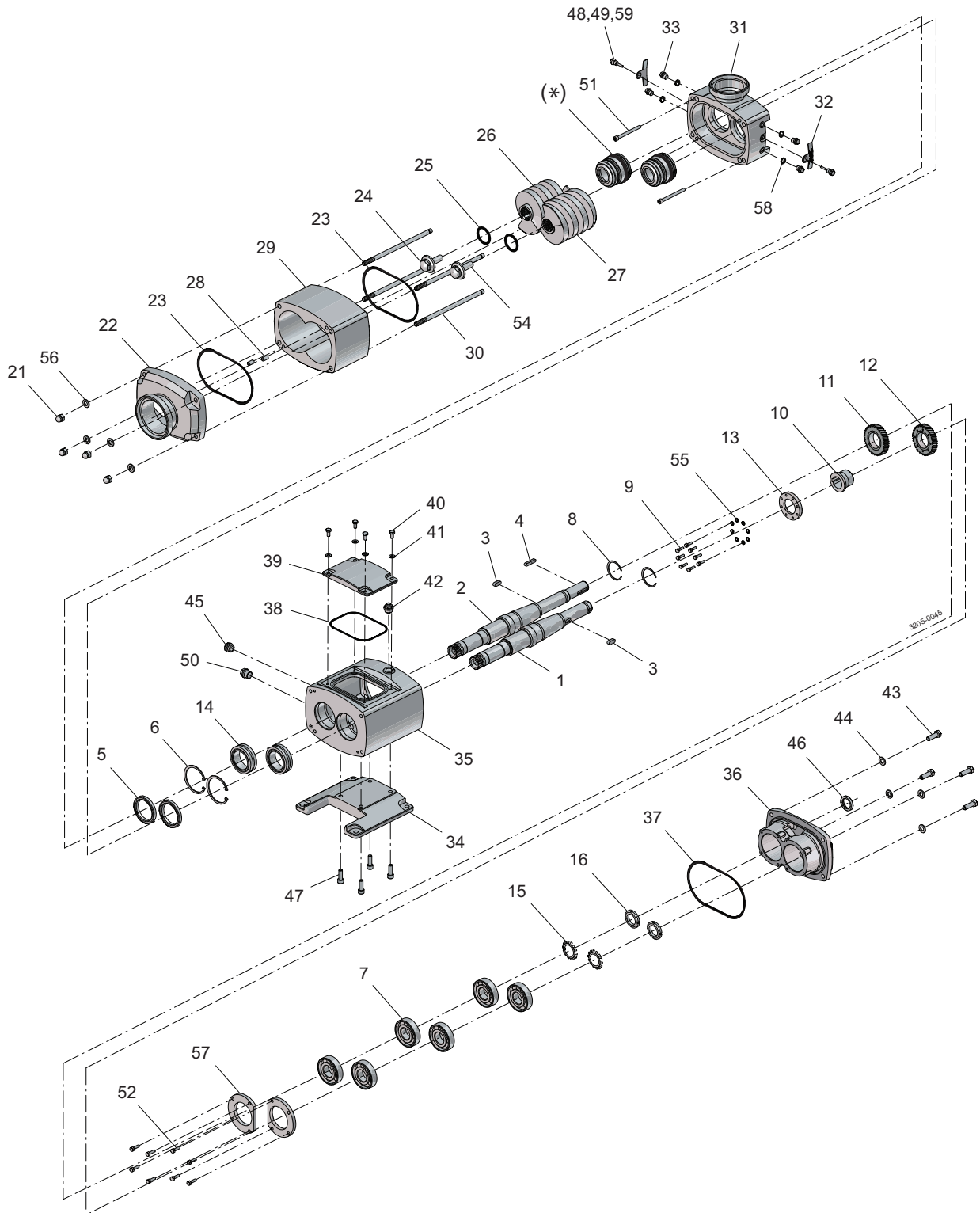
| Pos  | Qty | Denomination                        | Item no.<br>OS32 | Item no.<br>OS34 | Item no.<br>OS36 |
|------|-----|-------------------------------------|------------------|------------------|------------------|
| 35   | 1   | Gearbox .....                       | 9650303501       | 9650303501       | 9650303501       |
| 36   | 1   | Gearbox End Cover .....             | 9650303601       | 9650303601       | 9650303601       |
| 37 • | 1   | Gearbox End Cover O-Ring .....      | 9650303701       | 9650303701       | 9650303701       |
| 38 • | 1   | Gearbox Top Cover O-Ring .....      | 9650203701       | 9650203701       | 9650203701       |
| 39   | 1   | Gearbox Top Cover .....             | 9650303901       | 9650303901       | 9650303901       |
| 40   | 4   | Gearbox Top Cover Bolts .....       | 9650004001       | 9650004001       | 9650004001       |
| 41   | 4   | Gearbox Top Cover Washers .....     | 9650004101       | 9650004101       | 9650004101       |
| 42   | 1   | Filler Plug .....                   | 9650004201       | 9650004201       | 9650004201       |
| 43   | 4   | Gearbox End Cover Bolts .....       | 9650304301       | 9650304301       | 9650304301       |
| 44   | 4   | Gearbox End Cover Washers .....     | 9650304401       | 9650304401       | 9650304401       |
| 45   | 1   | Sight Glass .....                   | 9650004501       | 9650004501       | 9650004501       |
| 46 • | 1   | Rear Lip Seal .....                 | 9650304601       | 9650304601       | 9650304601       |
| 47   | 4   | Gearbox Foot Screw .....            | 9650304701       | 9650304701       | 9650304701       |
| 48   | 2   | Gland Guard Plug .....              | 9650004801       | 9650004801       | 9650004801       |
| 49   | 2   | Seal Pin .....                      | 9650304901       | 9650304901       | 9650304901       |
| 50   | 1   | Seal Ring .....                     | 9650005001       | 9650005001       | 9650005001       |
| 51   | 2   | Cap Screw .....                     | 9650305101       | 9650305101       | 9650305101       |
| 52   | 8   | Hex Bolt .....                      | 9650305201       | 9650305201       | 9650305201       |
| 54   | 2   | Stud Bolt .....                     | 9650305401       | 9650305401       | 9650305401       |
| 55   | 1   | Washer .....                        | 9650305501       | 9650305501       | 9650305501       |
| 56   | 4   | Washer .....                        | 9650305601       | 9650305601       | 9650305601       |
| 57   | 2   | Bearing Retainer .....              | 9650305701       | 9650305701       | 9650305701       |
| 58   | 4   | Washer Seal Ring .....              | 9650005801       | 9650005801       | 9650005801       |
| 59 ★ | 2   | Gland Guard Screw O Ring, FPM ..... | 9650005901       | 9650005901       | 9650005901       |



\* Cartridge Seal

OS 42-44-46 Twin Screw Pump Range

| Pos | Qty | Denomination                                 | Item no.<br>OS42 | Item no.<br>OS44 | Item no.<br>OS46 |
|-----|-----|--|------------------|------------------|------------------|
| 1   | 1   | Auxiliary Shaft                              | 9650400101       | 9650400101       | 9650400101       |
| 2   | 1   | Drive Shaft                                  | 9650400201       | 9650400201       | 9650400201       |
| 3   | 1   | Gear Key                                     | 9650400301       | 9650400301       | 9650400301       |
| 4   | 1   | Drive Shaft Key                              | 9650400401       | 9650400401       | 9650400401       |
| 5   | 2   | Front Up Seal                                | 9650400501       | 9650400501       | 9650400501       |
| 6   | 2   | Circlip                                      | 9650400601       | 9650400601       | 9650400601       |
| 7   | 6   | Ball Bearing                                 | 9650400701       | 9650400701       | 9650400701       |
| 8   | 2   | Circlip                                      | 9650400801       | 9650400801       | 9650400801       |
| 9   | 8   | Gear Sleeve Bolts                            | 9650400901       | 9650400901       | 9650400901       |
| 10  | 1   | Gear Sleeve                                  | 9650401001       | 9650401001       | 9650401001       |
| 11  | 1   | Timing Gear Drive Shaft                      | 9650401101       | 9650401101       | 9650401101       |
| 12  | 1   | Timing Gear Auxillary Shaft                  | 9650401201       | 9650401201       | 9650401201       |
| 13  | 1   | Timing Gear Clamp Plate                      | 9650401301       | 9650401301       | 9650401301       |
| 14  | 2   | Needle Bearing                               | 9650401401       | 9650401401       | 9650401401       |
| 15  | 2   | Tab Washer                                   | 9650401501       | 9650401501       | 9650401501       |
| 16  | 2   | Bearing Nut                                  | 9650401601       | 9650401601       | 9650401601       |
| 21  | 4   | Pump Cover Nuts                              | 9650202201       | 9650202201       | 9650202201       |
| 22  | 1   | Pump Cover, DIN11851 150mm                   | 9650402201       | 9650402201       | 9650402201       |
|     | 1   | Pump Cover, DIN11851 100mm                   | 9650402202       | 9650402202       | 9650402202       |
|     | 1   | Pump Cover, Tri-Clamp 150mm                  | 9650402203       | 9650402203       | 9650402203       |
|     | 1   | Pump Cover, Tri-Clamp 100mm                  | 9650402204       | 9650402204       | 9650402204       |
|     | 1   | Pump Cover, RJT 100mm                        | 9650402205       | 9650402205       | 9650402205       |
|     | 1   | Pump Cover, SMS 100mm                        | 9650402206       | 9650402206       | 9650402206       |
|     | 1   | Pump Cover, IDF 100mm                        | 9650402207       | 9650402207       | 9650402207       |
|     | 1   | Pump Cover, DIN11864-1-A 100mm               | 9650402208       | 9650402208       | 9650402208       |
|     | 1   | Pump Cover, DIN11864-1-C 100mm               | 9650402209       | 9650402209       | 9650402209       |
|     | 1   | Pump Cover, DIN11864-2-A 150mm               | 9650402210       | 9650402210       | 9650402210       |
|     | 1   | Pump Cover, DIN11864-2-A 100mm               | 9650402211       | 9650402211       | 9650402211       |
|     | 1   | Pump Cover, DIN11864-2-C 100mm               | 9650402212       | 9650402212       | 9650402212       |
|     | 1   | Pump Cover, RECT                             | 9650402299       | 9650402299       | 9650402299       |
| 23  | 2   | Pump Casing Elastomer, EPDM                  | 9650402301       | 9650402301       | 9650402301       |
|     | 2   | Pump Casing Elastomer, FPM                   | 9650402302       | 9650402302       | 9650402302       |
|     | 2   | Pump Casing Elastomer, FFPM                  | 9650402303       | 9650402303       | 9650402303       |
| 24  | 2   | Feed Screw Nut, OS20                         | 9650402401       | 9650402401       | 9650402401       |
| 25  | 2   | Feed Screw Elastomer, EPDM                   | 9650402501       | 9650402501       | 9650402501       |
|     | 2   | Feed Screw Elastomer, FPM                    | 9650402502       | 9650402502       | 9650402502       |
|     | 2   | Feed Screw Elastomer, FFPM                   | 9650402503       | 9650402503       | 9650402503       |
| 26  | 1   | Feed Screw, Left Standard 1.4404             | 9650422601       | 9650442601       | 9650462601       |
|     | 1   | Feed Screw, Left Hardened 1.4404             | 9650422602       | 9650442602       | 9650462602       |
| 27  | 1   | Feed Screw, Right Standard 1.4404            | 9650422701       | 9650442701       | 9650462701       |
|     | 1   | Feed Screw, Right Hardened 1.4404            | 9650422702       | 9650442702       | 9650462702       |
| 28  | 6   | Pump Casing, Dowels 10h8x20                  | 9650002801       | 9650002801       | 9650002801       |
| 29  | 1   | Pump Casing, 1.4404                          | 9650402901       | 9650402901       | 9650402901       |
| 30  | 4   | Pump Casing, Studs M10x200                   | 9650403001       | 9650403001       | 9650403001       |
| 31  | 1   | Seal Housing, DIN11851 100mm                 | 9650403101       | 9650403101       | 9650403101       |
|     | 1   | Seal Housing, DIN11851 80mm                  | 9650403102       | 9650403102       | 9650403102       |
|     | 1   | Seal Housing, Tri-Clamp 100mm                | 9650403103       | 9650403103       | 9650403103       |
|     | 1   | Seal Housing, Tri-Clamp 80mm                 | 9650403104       | 9650403104       | 9650403104       |
|     | 1   | Seal Housing, RJT 100mm                      | 9650403105       | 9650403105       | 9650403105       |
|     | 1   | Seal Housing, RJT 80mm                       | 9650403106       | 9650403106       | 9650403106       |
|     | 1   | Seal Housing, SMS 100mm                      | 9650403107       | 9650403107       | 9650403107       |
|     | 1   | Seal Housing, SMS 80mm                       | 9650403108       | 9650403108       | 9650403108       |
|     | 1   | Seal Housing, IDF 100mm                      | 9650403109       | 9650403109       | 9650403109       |
|     | 1   | Seal Housing, IDF 80mm                       | 9650403110       | 9650403110       | 9650403110       |
|     | 1   | Seal Housing, DIN11864-1-A 100mm             | 9650403111       | 9650403111       | 9650403111       |
|     | 1   | Seal Housing, DIN11864-1-A 80mm              | 9650403112       | 9650403112       | 9650403112       |
|     | 1   | Seal Housing, DIN11864-1-C 100mm             | 9650403113       | 9650403113       | 9650403113       |
|     | 1   | Seal Housing, DIN11864-1-C 80mm              | 9650403114       | 9650403114       | 9650403114       |
|     | 1   | Seal Housing, DIN11864-2-A 100mm             | 9650403115       | 9650403115       | 9650403115       |
|     | 1   | Seal Housing, DIN11864-2-C 100mm             | 9650403116       | 9650403116       | 9650403116       |
|     | 1   | Seal Housing, Seal Housing DIN11864-2-A 80mm | 9650403117       | 9650403117       | 9650403117       |
|     | 1   | Seal Housing, DIN11864-2-C 80mm              | 9650403118       | 9650403118       | 9650403118       |
| 32  | 2   | Gland Guard                                  | 9650403201       | 9650403201       | 9650403201       |
| 33  | 4   | Flush Caps                                   | 9650403301       | 9650403301       | 9650403301       |
| 34  | 1   | Foot   | 9650403401       | 9650403401       | 9650403401       |
| 35  | 1   | Gearbox                                      | 9650403501       | 9650403501       | 9650403501       |
| 36  | 1   | Gearbox End Cover                            | 9650403601       | 9650403601       | 9650403601       |
| 37  | 1   | Gearbox End Cover O-Ring                     | 9650403701       | 9650403701       | 9650403701       |
| 38  | 1   | Gearbox Top Cover O-Ring                     | 9650403801       | 9650403801       | 9650403801       |
| 39  | 1   | Gearbox Top Cover                            | 9650403901       | 9650403901       | 9650403901       |
| 40  | 4   | Gearbox Top Cover Bolts                      | 9650004001       | 9650004001       | 9650004001       |
| 41  | 4   | Gearbox Top Cover Washers                    | 9650004101       | 9650004101       | 9650004101       |
| 42  | 1   | Filler Plug                                  | 9650004201       | 9650004201       | 9650004201       |
| 43  | 4   | Gearbox End Cover Bolts                      | 9650404301       | 9650404301       | 9650404301       |
| 44  | 4   | Gearbox End Cover Washers                    | 9650404401       | 9650404401       | 9650404401       |

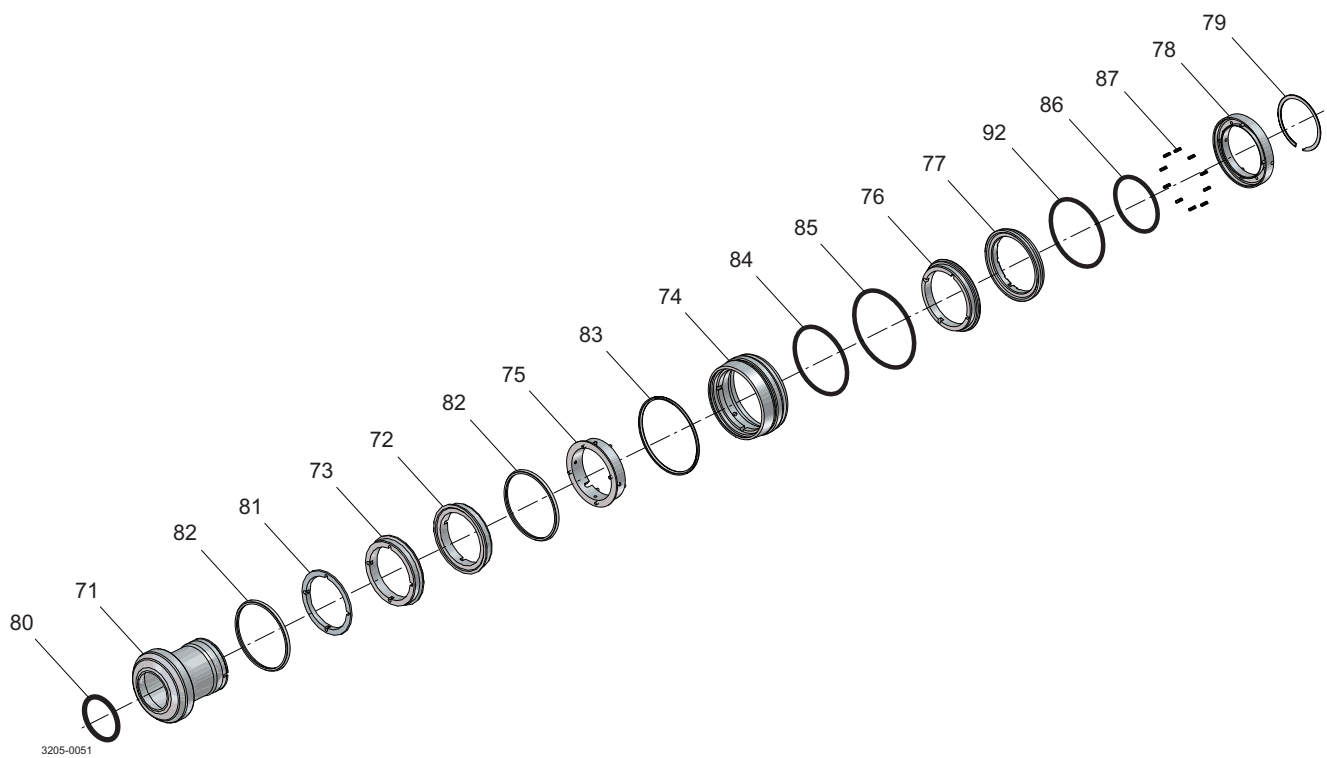


\* Cartridge Seal

OS 42-44-46 Twin Screw Pump Range

---

| Pos  | Qty | Denomination                        | Item no.   | Item no.   | Item no.   |
|------|-----|-------------------------------------|------------|------------|------------|
|      |     |                                     | OS42       | OS44       | OS46       |
| 45   | 1   | Sight Glass .....                   | 9650004501 | 9650004501 | 9650004501 |
| 46 • | 1   | Rear Lip Seal .....                 | 9650404601 | 9650404601 | 9650404601 |
| 47   | 4   | Gearbox Foot Screw .....            | 9650404701 | 9650404701 | 9650404701 |
| 48   | 2   | Gland Guard Plug .....              | 9650004801 | 9650004801 | 9650004801 |
| 49   | 2   | Seal Pin .....                      | 9650404901 | 9650404901 | 9650404901 |
| 50   | 1   | Washer Gearbox Plug .....           | 9650005001 | 9650005001 | 9650005001 |
| 51   | 2   | Cap Screw .....                     | 9650405101 | 9650405101 | 9650405101 |
| 52   | 8   | Hex Bolt .....                      | 9650405201 | 9650405201 | 9650405201 |
| 54   | 2   | Stud Bolt .....                     | 9650405401 | 9650405401 | 9650405401 |
| 55   | 1   | Washer .....                        | 9650405501 | 9650405501 | 9650405501 |
| 56   | 4   | Washer .....                        | 9650404401 | 9650404401 | 9650404401 |
| 57   | 2   | Bearing Retainer .....              | 9650405701 | 9650405701 | 9650405701 |
| 58   | 4   | Washer Seal Ring .....              | 9650005801 | 9650005801 | 9650005801 |
| 59 ★ | 4   | Gland Guard Screw O Ring, FPM ..... | 9650005901 | 9650005901 | 9650005901 |





# Cartridge Seal

| Pos | Qty | Denomination                                | OS22/24/26 | OS32/34/36 | OS42/44/46 |
|-----|-----|---|------------|------------|------------|
| 71  | 2   | Sleeve / Holder, Single Rotary Holder, FPM  | 9650207102 | 9650307102 | 9650407102 |
|     | 2   | Sleeve / Holder, Double Rotary Holder, EPDM | 9650207103 | 9650307103 | 9650407103 |
|     | 2   | Sleeve / Holder, Double Rotary Holder, FPM  | 9650207104 | 9650307104 | 9650407104 |
|     | 2   | Sleeve / Holder, Double Rotary Holder, FFPM | 9650207105 | 9650307105 | 9650407105 |
| 72  | 2   | Seal Face, SC                               | 9650207301 | 9650207301 | 9650207301 |
|     | 2   | Seal Face, Carbon                           | 9650207302 | 9650207302 | 9650207302 |
|     | 1   | Seal Face, TC                               | 9650207303 | 9650207303 | 9650207303 |
| 73  | 1   | Seal Face, SC                               | 9650207301 | 9650307301 | 9650407301 |
|     | 1   | Seal Face, Carbon                           | 9650207302 | 9650307302 | 9650407302 |
|     | 1   | Seal Face, TC                               | 9650207303 | 9650307303 | 9650407303 |
| 74  | 2   | Housing Double                              | 9650207401 | 9650307401 | 9650407401 |
| 75  | 2   | Drive Ring Inner Assy                       | 9650207501 | 9650307501 | 9650407501 |
| 76  | 2   | Static Face Double                          | 9650207601 | 9650307601 | 9650407601 |
| 77  | 2   | Rotary Face Double                          | 9650207701 | 9650307701 | 9650407701 |
| 78  | 2   | Drive Ring Outer Assy                       | 9650207801 | 9650307801 | 9650407801 |
| 79  | 2   | Circlip Double Housing                      | 9650207901 | 9650307901 | 9650407901 |
| 80  | 2   | P Ring, EPDM                                | 9650208001 | 9650308001 | 9650408001 |
|     | 2   | P Ring, FPM                                 | 9650208002 | 9650308002 | 9650408002 |
|     | 2   | P Ring, FFPM                                | 9650208003 | 9650308003 | 9650408003 |
| 81  | 2   | WASHER PTFE                                 | 9650208101 | 9650308101 | 9650408101 |
| 82  | 2   | P Ring, EPDM                                | 9650208201 | 9650308201 | 9650408201 |
|     | 2   | P Ring, FPM                                 | 9650208202 | 9650308202 | 9650408202 |
|     | 2   | P Ring, FFPM                                | 9650208203 | 9650308203 | 9650408203 |
| 83  | 2   | P Ring, EPDM                                | 9650208301 | 9650308301 | 9650408301 |
|     | 2   | P Ring, FPM                                 | 9650208302 | 9650308302 | 9650408302 |
|     | 2   | P Ring, FFPM                                | 9650208303 | 9650308303 | 9650408303 |
| 84  | 2   | P Ring, EPDM                                | 9650208401 | 9650308401 | 9650408401 |
|     | 2   | P Ring, FPM                                 | 9650208402 | 9650308402 | 9650408402 |
|     | 2   | P Ring, FFPM                                | 9650208403 | 9650308403 | 9650408403 |
| 85  | 2   | P Ring, EPDM                                | 9650208501 | 9650308501 | 9650408501 |
|     | 2   | P Ring, FPM                                 | 9650208502 | 9650308502 | 9650408502 |
|     | 2   | P Ring, FFPM                                | 9650208503 | 9650308503 | 9650408503 |
| 86  | 2   | P Ring, EPDM                                | 9650208601 | 9650208401 | 9650408601 |
|     | 2   | P Ring, FPM                                 | 9650208602 | 9650208402 | 9650408602 |
|     | 2   | P Ring, FFPM                                | 9650208603 | 9650208403 | 9650408603 |
| 87  | 2   | Coil Spring                                 | 9650208701 | 9650308701 | 9650408701 |
| 88  | 2   | Housing Assy Single                         | 9650208801 | 9650308801 | 9650408801 |
| 89  | 2   | Circlip Single Housing                      | 9650208901 | 9650308901 | 9650408901 |
| 90  | 2   | Lip Seal Flush FPM                          | 9650209001 | 9650309001 | 9650409001 |
| 91  | 2   | Circlip Lip Seal Flush                      | 9650209101 | 9650309101 | 9650409101 |
| 92  | 2   | O Ring, EPDM                                | 9650209001 |            |            |
|     | 2   | O Ring, FPM                                 | 9650209002 |            |            |
|     | 2   | O Ring, FFPM                                | 9650209003 |            |            |

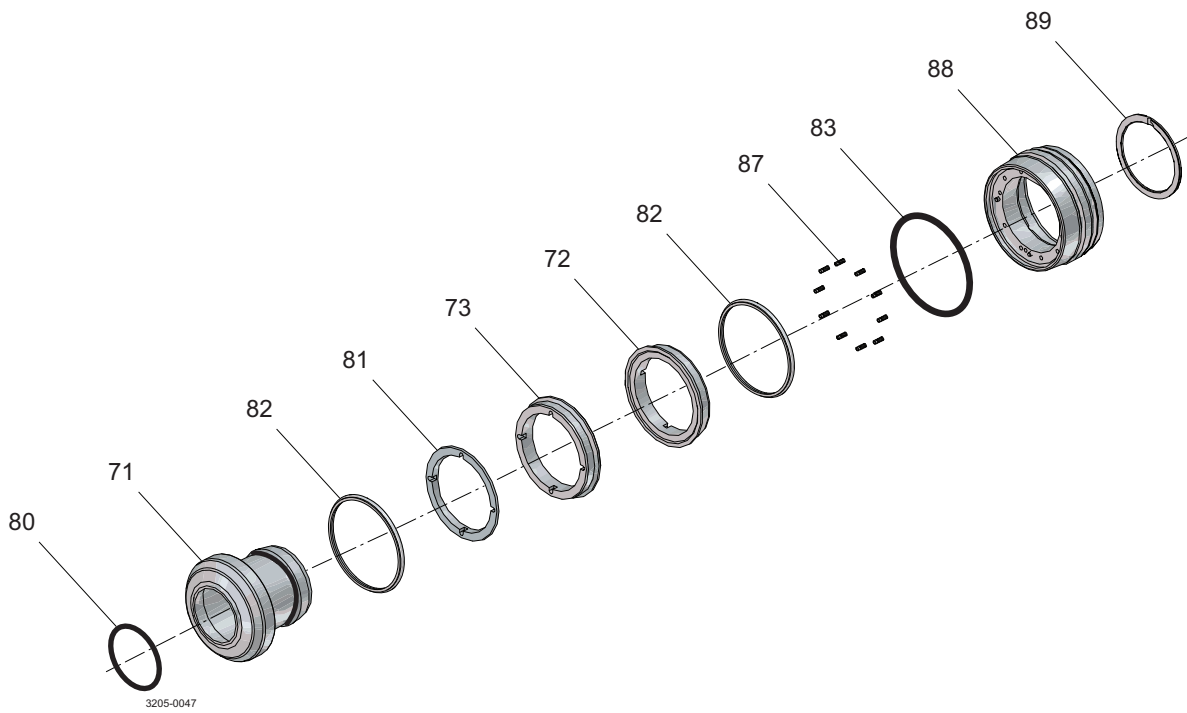


## Flushed Conversion Kits

| Pos | Qty | Denomination   | OS22       | OS24       | OS26       |
|-----|-----|--|------------|------------|------------|
|     | 2   | Flushed Seal Conversion Kit EPDM, Circlip Lip Seal Flush ..... | 9650209101 | 9650209101 | 9650209101 |
| 90  | 2   | Flushed Seal Conversion Kit EPDM, Lip Seal Flush FPM .....     | 9650209001 | 9650209001 | 9650209001 |
| 85  | 2   | Flushed Seal Conversion Kit EPDM, O-ring .....                 | 9650208501 | 9650208501 | 9650208501 |
| 91  | 2   | Flushed Seal Conversion Kit FPM, Circlip Lip Seal Flush .....  | 9650209101 | 9650209101 | 9650209101 |
| 90  | 2   | Flushed Seal Conversion Kit FPM, Lip Seal Flush FPM .....      | 9650209001 | 9650209001 | 9650209001 |
| 85  | 2   | Flushed Seal Conversion Kit FPM, O-ring .....                  | 9650208502 | 9650208501 | 9650208501 |
| 91  | 2   | Flushed Seal Conversion Kit FFPM, Circlip Lip Seal Flush ..... | 9650209101 | 9650209101 | 9650209101 |
| 90  | 2   | Flushed Seal Conversion Kit FFPM, Lip Seal Flush FPM .....     | 9650209001 | 9650209001 | 9650209001 |
| 85  | 2   | Flushed Seal Conversion Kit FFPM, O-ring .....                 | 9650208503 | 9650208501 | 9650208501 |

| Pos | Qty | Denomination   | OS32       | OS34       | OS36       |
|-----|-----|--|------------|------------|------------|
|     | 2   | Flushed Seal Conversion Kit EPDM, Circlip Lip Seal Flush ..... | 9650309101 | 9650309101 | 9650309101 |
| 90  | 2   | Flushed Seal Conversion Kit EPDM, Lip Seal Flush FPM .....     | 9650309001 | 9650309001 | 9650309001 |
| 85  | 2   | Flushed Seal Conversion Kit EPDM, O-ring .....                 | 9650308501 | 9650308501 | 9650308501 |
| 91  | 2   | Flushed Seal Conversion Kit FPM, Circlip Lip Seal Flush .....  | 9650309101 | 9650309101 | 9650309101 |
| 90  | 2   | Flushed Seal Conversion Kit FPM, Lip Seal Flush FPM .....      | 9650309001 | 9650309001 | 9650309001 |
| 85  | 2   | Flushed Seal Conversion Kit FPM, O-ring .....                  | 9650308502 | 9650308501 | 9650308501 |
| 91  | 2   | Flushed Seal Conversion Kit FFPM, Circlip Lip Seal Flush ..... | 9650309101 | 9650309101 | 9650309101 |
| 90  | 2   | Flushed Seal Conversion Kit FFPM, Lip Seal Flush FPM .....     | 9650309001 | 9650309001 | 9650309001 |
| 85  | 2   | Flushed Seal Conversion Kit FFPM, O-ring .....                 | 9650308503 | 9650308501 | 9650308501 |

| Pos | Qty | Denomination   | OS42       | OS44       | OS46       |
|-----|-----|--|------------|------------|------------|
|     | 2   | Flushed Seal Conversion Kit EPDM, Circlip Lip Seal Flush ..... | 9650409101 | 9650409101 | 9650409101 |
| 90  | 2   | Flushed Seal Conversion Kit EPDM, Lip Seal Flush FPM .....     | 9650409001 | 9650409001 | 9650409001 |
| 85  | 2   | Flushed Seal Conversion Kit EPDM, O-ring .....                 | 9650408501 | 9650408501 | 9650408501 |
| 91  | 2   | Flushed Seal Conversion Kit FPM, Circlip Lip Seal Flush .....  | 9650409101 | 9650409101 | 9650409101 |
| 90  | 2   | Flushed Seal Conversion Kit FPM, Lip Seal Flush FPM .....      | 9650409001 | 9650409001 | 9650409001 |
| 85  | 2   | Flushed Seal Conversion Kit FPM, O-ring .....                  | 9650408502 | 9650408501 | 9650408501 |
| 91  | 2   | Flushed Seal Conversion Kit FFPM, Circlip Lip Seal Flush ..... | 9650409101 | 9650409101 | 9650409101 |
| 90  | 2   | Flushed Seal Conversion Kit FFPM, Lip Seal Flush FPM .....     | 9650409001 | 9650409001 | 9650409001 |
| 85  | 2   | Flushed Seal Conversion Kit FFPM, O-ring .....                 | 9650408503 | 9650408501 | 9650408501 |

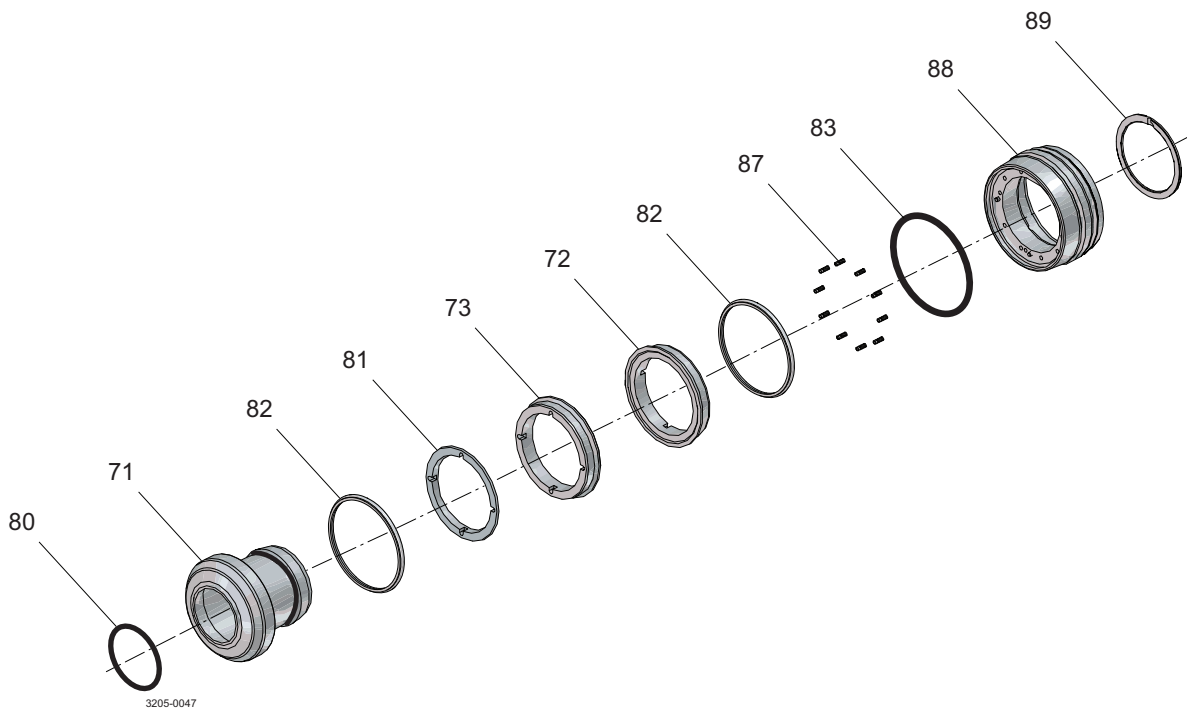


## Twin Screw Pump Range - Single Seal

| Pos | Qty | Denomination                          | OS22/24/26 | OS32/34/36 | OS42/44/46 |
|-----|-----|---------------------------------------|------------|------------|------------|
|     |     |                                       | EPDM       | EPDM       | EPDM       |
| ❖   |     | Complete Single Seal SC/C EPDM: ..... | 9650209501 | 9650309501 | 9650409501 |
| 71  | 1   | ROTARY HOLDER SINGLE .....            |            |            |            |
| 72  | 1   | STATIC FACE CARBON .....              |            |            |            |
| 73  | 1   | STATIC/ROTARY FACE SC .....           |            |            |            |
| 80  | 1   | P RING EPDM .....                     |            |            |            |
| 81  | 1   | WASHER PTFE .....                     |            |            |            |
| 82  | 1   | P RING EPDM .....                     |            |            |            |
| 83  | 1   | P RING EPDM .....                     |            |            |            |
| 87  | 10  | COIL SPRING .....                     |            |            |            |
|     | 16  | COIL SPRING .....                     |            |            |            |
| 88  | 1   | HOUSING ASSY SINGLE .....             |            |            |            |
| 89  | 1   | CIRCLIP SINGLE HOUSING .....          |            |            |            |

| Pos | Qty | Denomination                         | OS22/24/26 | OS32/34/36 | OS42/44/46 |
|-----|-----|--------------------------------------|------------|------------|------------|
|     |     |                                      | FPM        | FPM        | FPM        |
| ❖   |     | Complete Single Seal SC/C FPM: ..... | 9650209502 | 9650309502 | 9650409502 |
| 71  | 1   | ROTARY HOLDER SINGLE .....           |            |            |            |
| 72  | 1   | STATIC FACE CARBON .....             |            |            |            |
| 73  | 1   | STATIC/ROTARY FACE SC .....          |            |            |            |
| 80  | 1   | P RING FPM .....                     |            |            |            |
| 81  | 1   | WASHER PTFE .....                    |            |            |            |
| 82  | 1   | P RING FPM .....                     |            |            |            |
| 83  | 1   | P RING FPM .....                     |            |            |            |
| 87  | 10  | COIL SPRING .....                    |            |            |            |
|     | 16  | COIL SPRING .....                    |            |            |            |
| 88  | 1   | HOUSING ASSY SINGLE .....            |            |            |            |
| 89  | 1   | CIRCLIP SINGLE HOUSING .....         |            |            |            |

| Pos | Qty | Denomination                          | OS22/24/26 | OS32/34/36 | OS42/44/46 |
|-----|-----|---------------------------------------|------------|------------|------------|
|     |     |                                       | FFPM       | FFPM       | FFPM       |
| ❖   |     | Complete Single Seal SC/C FFPM: ..... | 9650209503 | 9650309503 | 9650409503 |
| 71  | 1   | ROTARY HOLDER SINGLE .....            |            |            |            |
| 72  | 1   | STATIC FACE CARBON .....              |            |            |            |
| 73  | 1   | STATIC/ROTARY FACE SC .....           |            |            |            |
| 80  | 1   | P RING FFPM .....                     |            |            |            |
| 81  | 1   | WASHER PTFE .....                     |            |            |            |
| 82  | 1   | P RING FFPM .....                     |            |            |            |
| 83  | 1   | P RING FFPM .....                     |            |            |            |
| 87  | 10  | COIL SPRING .....                     |            |            |            |
|     | 16  | COIL SPRING .....                     |            |            |            |
| 88  | 1   | HOUSING ASSY SINGLE .....             |            |            |            |
| 89  | 1   | CIRCLIP SINGLE HOUSING .....          |            |            |            |



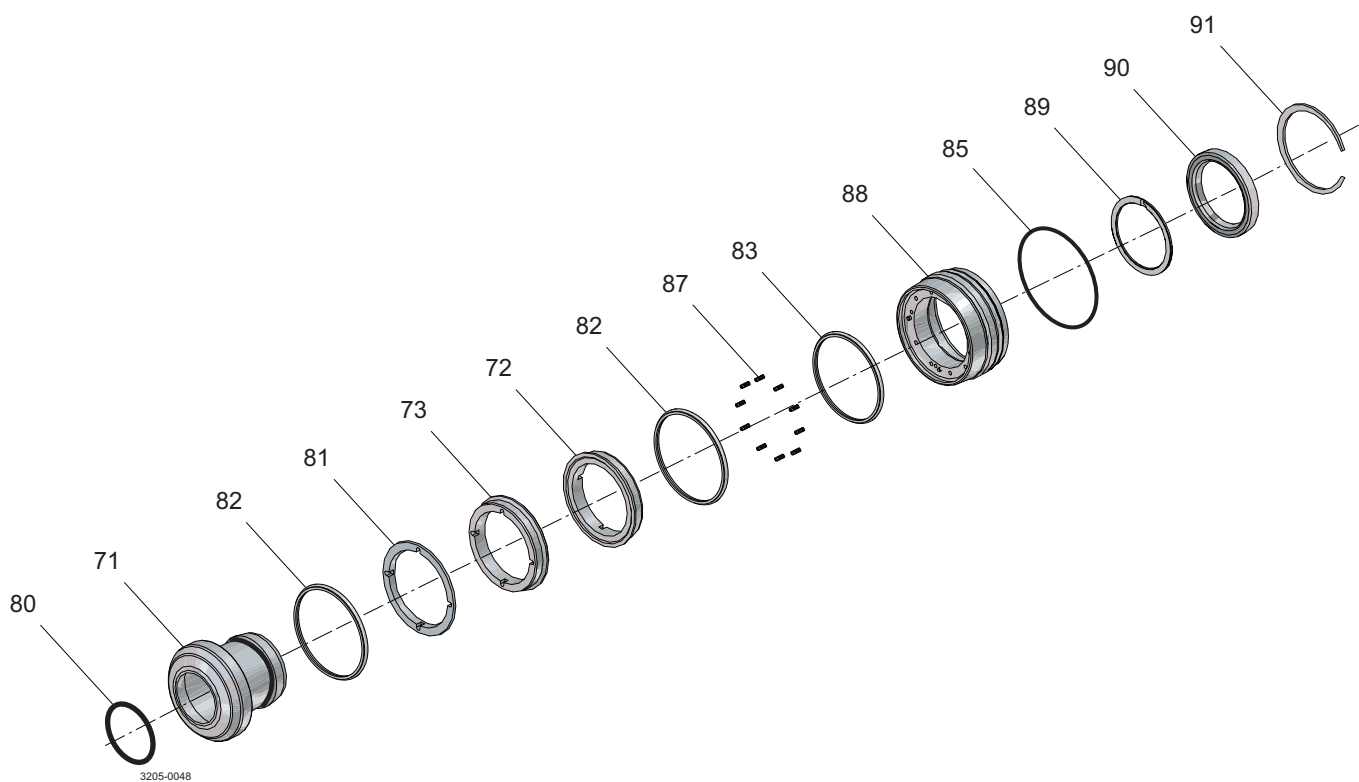
3205-0047

**Twin Screw Pump Range - Single Seal**

| Pos | Qty | Denomination                           | OS22/24/26 | OS32/34/36 | OS42/44/46 |
|-----|-----|--|------------|------------|------------|
|     |     |  | EPDM       | EPDM       | EPDM       |
| ❖   |     | Complete Single Seal SC/SC EPDM: ..... | 9650209511 | 9650309511 | 9650409511 |
| 71  | 1   | ROTARY HOLDER SINGLE .....             |            |            |            |
| 72  | 1   | STATIC FACE SC .....                   |            |            |            |
| 73  | 1   | STATIC/ROTARY FACE SC .....            |            |            |            |
| 80  | 1   | P RING EPDM .....                      |            |            |            |
| 81  | 1   | WASHER PTFE .....                      |            |            |            |
| 82  | 2   | P RING EPDM .....                      |            |            |            |
| 83  | 1   | P RING EPDM .....                      |            |            |            |
| 87  | 10  | COIL SPRING .....                      |            |            |            |
|     | 16  | COIL SPRING .....                      |            |            |            |
| 88  | 1   | HOUSING ASSY SINGLE .....              |            |            |            |
| 89  | 1   | CIRCLIP SINGLE HOUSING .....           |            |            |            |

| Pos | Qty | Denomination                          | OS22/24/26 | OS32/34/36 | OS42/44/46 |
|-----|-----|---------------------------------------|------------|------------|------------|
|     |     |                                       | FPM        | FPM        | FPM        |
| ❖   |     | Complete Single Seal SC/SC FPM: ..... | 9650209512 | 9650309512 | 9650409512 |
| 71  | 1   | ROTARY HOLDER SINGLE .....            |            |            |            |
| 72  | 1   | STATIC FACE SC .....                  |            |            |            |
| 73  | 1   | STATIC/ROTARY FACE SC .....           |            |            |            |
| 80  | 1   | P RING FPM .....                      |            |            |            |
| 81  | 1   | WASHER PTFE .....                     |            |            |            |
| 82  | 1   | P RING FPM .....                      |            |            |            |
| 83  | 1   | P RING FPM .....                      |            |            |            |
| 87  | 10  | COIL SPRING .....                     |            |            |            |
|     | 16  | COIL SPRING .....                     |            |            |            |
| 88  | 1   | HOUSING ASSY SINGLE .....             |            |            |            |
| 89  | 1   | CIRCLIP SINGLE HOUSING .....          |            |            |            |

| Pos | Qty | Denomination                           | OS22/24/26 | OS32/34/36 | OS42/44/46 |
|-----|-----|--|------------|------------|------------|
|     |     |  | FFPM       | FFPM       | FFPM       |
| ❖   |     | Complete Single Seal SC/SC FFPM: ..... | 9650209513 | 9650309513 | 9650409513 |
| 71  | 1   | ROTARY HOLDER SINGLE .....             |            |            |            |
| 72  | 1   | STATIC FACE SC .....                   |            |            |            |
| 73  | 1   | STATIC/ROTARY FACE SC .....            |            |            |            |
| 80  | 1   | P RING FFPM .....                      |            |            |            |
| 81  | 1   | WASHER PTFE .....                      |            |            |            |
| 82  | 1   | P RING FFPM .....                      |            |            |            |
| 83  | 1   | P RING FFPM .....                      |            |            |            |
| 87  | 10  | COIL SPRING .....                      |            |            |            |
|     | 16  | COIL SPRING .....                      |            |            |            |
| 88  | 1   | HOUSING ASSY SINGLE .....              |            |            |            |
| 89  | 1   | CIRCLIP SINGLE HOUSING .....           |            |            |            |



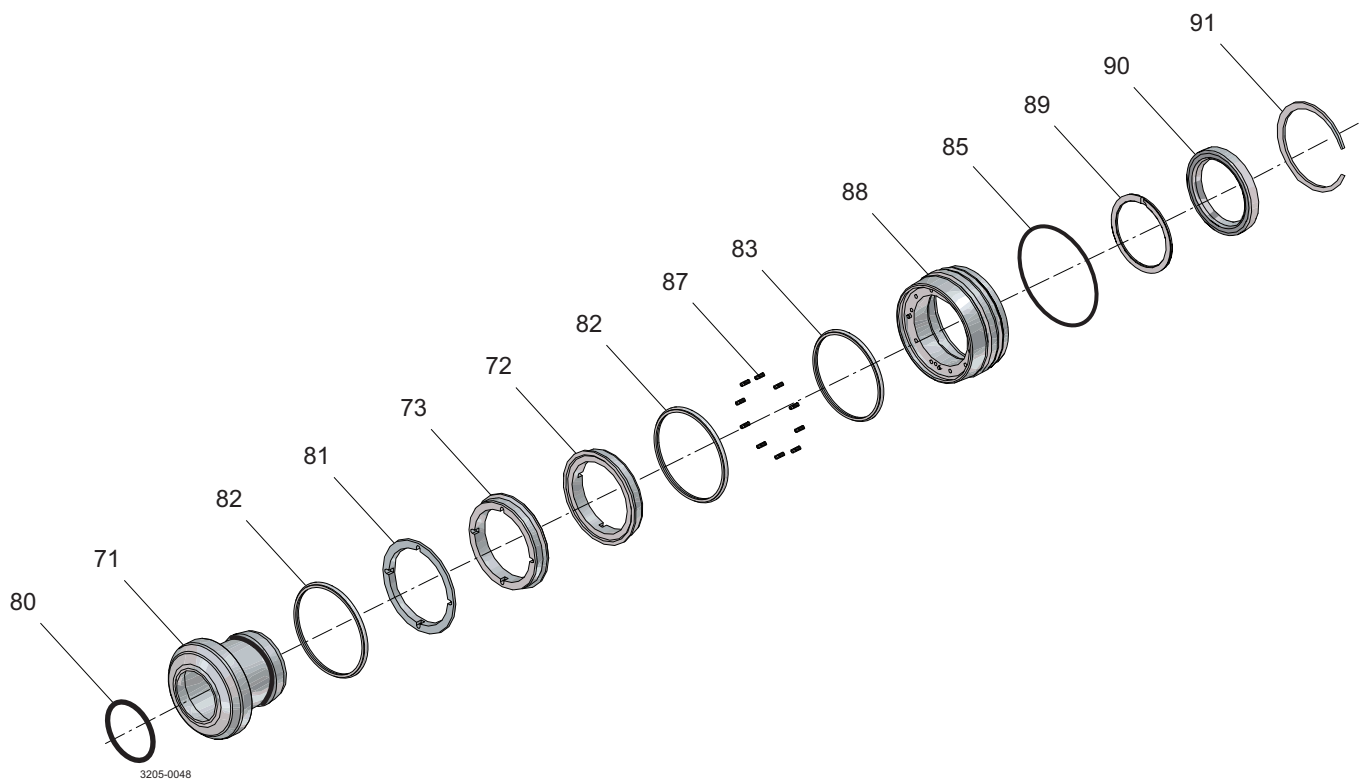


## Twin Screw Pump Range - Single Flushed Seal

| Pos | Qty | Denomination                                    | OS22/24/26<br>EPDM BSPT | OS32/34/36<br>EPDM BSPT | OS42/44/46<br>EPDM BSPT |
|-----|-----|---|-------------------------|-------------------------|-------------------------|
| ▲   |     | Complete Single Flushed Seal SC/C EPDM G: ..... | 9650209551              | 9650309551              | 9650409551              |
| 71  | 1   | ROTARY HOLDER SINGLE .....                      |                         |                         |                         |
| 72  | 1   | STATIC FACE CARBON .....                        |                         |                         |                         |
| 73  | 1   | STATIC/ROTARY FACE SC .....                     |                         |                         |                         |
| 80  | 1   | P RING EPDM .....                               |                         |                         |                         |
| 81  | 1   | WASHER PTFE .....                               |                         |                         |                         |
| 82  | 1   | P RING EPDM .....                               |                         |                         |                         |
| 83  | 1   | P RING EPDM .....                               |                         |                         |                         |
| 85  | 1   | O RING EPDM .....                               |                         |                         |                         |
| 87  | 10  | COIL SPRING .....                               |                         |                         |                         |
|     | 16  | COIL SPRING .....                               |                         |                         |                         |
| 88  | 1   | HOUSING ASSY SINGLE .....                       |                         |                         |                         |
| 89  | 1   | CIRCLIP SINGLE HOUSING .....                    |                         |                         |                         |
| 90  | 1   | LIP SEAL FLUSH FPM .....                        |                         |                         |                         |
| 91  | 1   | CIRCLIP LIP SEAL FLUSH .....                    |                         |                         |                         |

| Pos | Qty | Denomination                                   | OS22/24/26<br>FPM BSPT | OS32/34/36<br>FPM BSPT | OS42/44/46<br>FPM BSPT |
|-----|-----|--|------------------------|------------------------|------------------------|
| ▲   |     | Complete Single Flushed Seal SC/C FPM G: ..... | 9650209552             | 9650309552             | 9650409552             |
| 71  | 1   | ROTARY HOLDER SINGLE .....                     |                        |                        |                        |
| 72  | 1   | STATIC FACE CARBON .....                       |                        |                        |                        |
| 73  | 1   | STATIC/ROTARY FACE SC .....                    |                        |                        |                        |
| 80  | 1   | P RING FPM .....                               |                        |                        |                        |
| 81  | 1   | WASHER PTFE .....                              |                        |                        |                        |
| 82  | 1   | P RING FPM .....                               |                        |                        |                        |
| 83  | 1   | P RING FPM .....                               |                        |                        |                        |
| 85  | 1   | O RING FPM .....                               |                        |                        |                        |
| 87  | 10  | COIL SPRING .....                              |                        |                        |                        |
|     | 16  | COIL SPRING .....                              |                        |                        |                        |
| 88  | 1   | HOUSING ASSY SINGLE .....                      |                        |                        |                        |
| 89  | 1   | CIRCLIP SINGLE HOUSING .....                   |                        |                        |                        |
| 90  | 1   | LIP SEAL FLUSH FPM .....                       |                        |                        |                        |
| 91  | 1   | CIRCLIP LIP SEAL FLUSH .....                   |                        |                        |                        |

| Pos | Qty | Denomination                                    | OS22/24/26<br>FFPM BSPT | OS32/34/36<br>FFPM BSPT | OS42/44/46<br>FFPM BSPT |
|-----|-----|---|-------------------------|-------------------------|-------------------------|
| ▲   |     | Complete Single Flushed Seal SC/C FFPM G: ..... | 9650209553              | 9650309553              | 9650409553              |
| 71  | 1   | ROTARY HOLDER SINGLE .....                      |                         |                         |                         |
| 72  | 1   | STATIC FACE CARBON .....                        |                         |                         |                         |
| 73  | 1   | STATIC/ROTARY FACE SC .....                     |                         |                         |                         |
| 80  | 1   | P RING FFPM .....                               |                         |                         |                         |
| 81  | 1   | WASHER PTFE .....                               |                         |                         |                         |
| 82  | 1   | P RING FFPM .....                               |                         |                         |                         |
| 83  | 1   | P RING FFPM .....                               |                         |                         |                         |
| 85  | 1   | O RING FFPM .....                               |                         |                         |                         |
| 87  | 10  | COIL SPRING .....                               |                         |                         |                         |
|     | 16  | COIL SPRING .....                               |                         |                         |                         |
| 88  | 1   | HOUSING ASSY SINGLE .....                       |                         |                         |                         |
| 89  | 1   | CIRCLIP SINGLE HOUSING .....                    |                         |                         |                         |
| 90  | 1   | LIP SEAL FLUSH FPM .....                        |                         |                         |                         |
| 91  | 1   | CIRCLIP LIP SEAL FLUSH .....                    |                         |                         |                         |

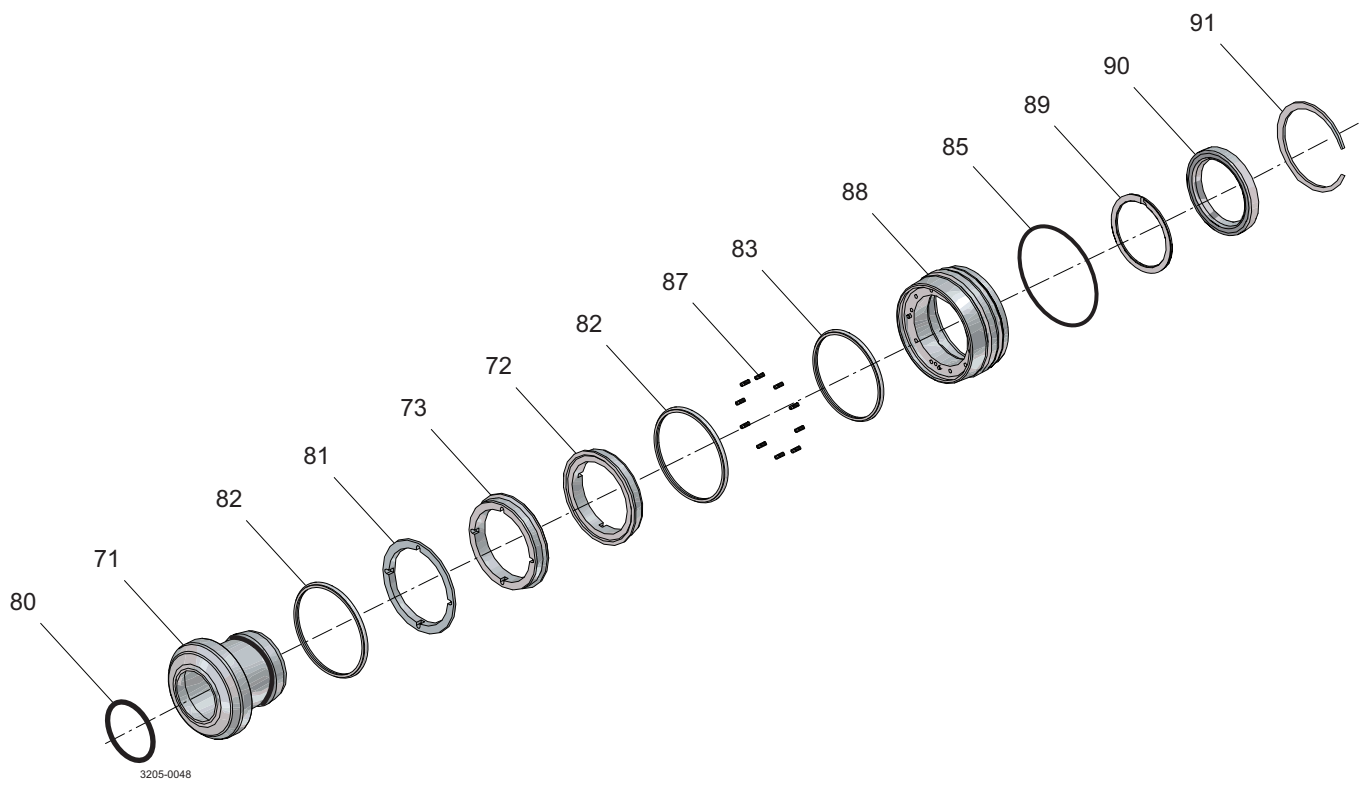


## Twin Screw Pump Range - Single Flushed Seal

| Pos | Qty | Denomination                                     | OS22/24/26 | OS32/34/36 | OS42/44/46 |
|-----|-----|--|------------|------------|------------|
|     |     |  | EPDM BSPT  | EPDM BSPT  | EPDM BSPT  |
| ▲   |     | Complete Single Flushed Seal SC/SC EPDM G: ..... | 9650209561 | 9650309561 | 9650409561 |
| 71  | 1   | ROTARY HOLDER SINGLE .....                       |            |            |            |
| 72  | 1   | STATIC FACE SC .....                             |            |            |            |
| 73  | 1   | STATIC/ROTARY FACE SC .....                      |            |            |            |
| 80  | 1   | P RING EPDM .....                                |            |            |            |
| 81  | 1   | WASHER PTFE .....                                |            |            |            |
| 82  | 1   | P RING EPDM .....                                |            |            |            |
| 83  | 1   | P RING EPDM .....                                |            |            |            |
| 85  | 1   | O RING EPDM .....                                |            |            |            |
| 87  | 10  | COIL SPRING .....                                |            |            |            |
|     | 16  | COIL SPRING .....                                |            |            |            |
| 88  | 1   | HOUSING ASSY SINGLE .....                        |            |            |            |
| 89  | 1   | CIRCLIP SINGLE HOUSING .....                     |            |            |            |
| 90  | 1   | LIP SEAL FLUSH FPM .....                         |            |            |            |
| 91  | 1   | CIRCLIP LIP SEAL FLUSH .....                     |            |            |            |

| Pos | Qty | Denomination                                    | OS22/24/26 | OS32/34/36 | OS42/44/46 |
|-----|-----|---|------------|------------|------------|
|     |     |   | FPM BSPT   | FPM BSPT   | FPM BSPT   |
| ▲   |     | Complete Single Flushed Seal SC/SC FPM G: ..... | 9650209562 | 9650309562 | 9650409562 |
| 71  | 1   | ROTARY HOLDER SINGLE .....                      |            |            |            |
| 72  | 1   | STATIC FACE SC .....                            |            |            |            |
| 73  | 1   | STATIC/ROTARY FACE SC .....                     |            |            |            |
| 80  | 1   | P RING FPM .....                                |            |            |            |
| 81  | 1   | WASHER PTFE .....                               |            |            |            |
| 82  | 1   | P RING FPM .....                                |            |            |            |
| 83  | 1   | P RING FPM .....                                |            |            |            |
| 85  | 1   | O RING FPM .....                                |            |            |            |
| 87  | 10  | COIL SPRING .....                               |            |            |            |
|     | 16  | COIL SPRING .....                               |            |            |            |
| 88  | 1   | HOUSING ASSY SINGLE .....                       |            |            |            |
| 89  | 1   | CIRCLIP SINGLE HOUSING .....                    |            |            |            |
| 90  | 1   | LIP SEAL FLUSH FPM .....                        |            |            |            |
| 91  | 1   | CIRCLIP LIP SEAL FLUSH .....                    |            |            |            |

| Pos | Qty | Denomination                                     | OS22/24/26 | OS32/34/36 | OS42/44/46 |
|-----|-----|--|------------|------------|------------|
|     |     |  | FFPM BSPT  | FFPM BSPT  | FFPM BSPT  |
| ▲   |     | Complete Single Flushed Seal SC/SC FFPM G: ..... | 9650209563 | 9650309563 | 9650409563 |
| 71  | 1   | ROTARY HOLDER SINGLE .....                       |            |            |            |
| 72  | 1   | STATIC FACE SC .....                             |            |            |            |
| 73  | 2   | STATIC/ROTARY FACE SC .....                      |            |            |            |
| 80  | 1   | P RING FFPM .....                                |            |            |            |
| 81  | 1   | WASHER PTFE .....                                |            |            |            |
| 82  | 1   | P RING FFPM .....                                |            |            |            |
| 83  | 1   | P RING FFPM .....                                |            |            |            |
| 85  | 1   | O RING FFPM .....                                |            |            |            |
| 87  | 10  | COIL SPRING .....                                |            |            |            |
|     | 16  | COIL SPRING .....                                |            |            |            |
| 88  | 1   | HOUSING ASSY SINGLE .....                        |            |            |            |
| 89  | 1   | CIRCLIP SINGLE HOUSING .....                     |            |            |            |
| 90  | 1   | LIP SEAL FLUSH FPM .....                         |            |            |            |
| 91  | 1   | CIRCLIP LIP SEAL FLUSH .....                     |            |            |            |

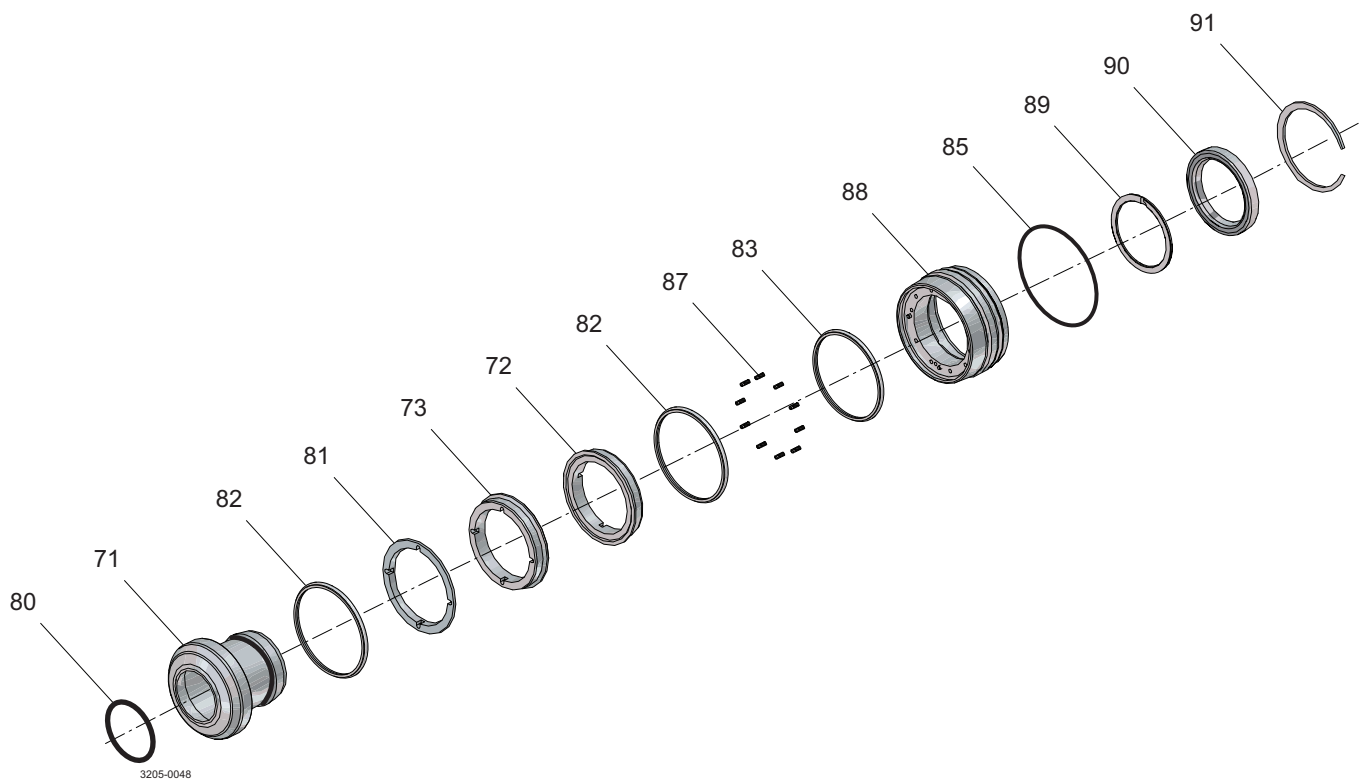


**Twin Screw Pump Range - Double Seal**

| Pos | Qty | Denomination                               | OS22/24/26 | OS32/34/36 | OS42/44/46 |
|-----|-----|--|------------|------------|------------|
|     |     |  | EPDM       | EPDM       | EPDM       |
| □   |     | Complete Double Seal SC/C/SC/C EPDM: ..... | 9650209571 | 9650309571 | 9650409571 |
| 71  | 1   | ROTARY HOLDER DBL3.1 EPDM .....            |            |            |            |
| 72  | 1   | STATIC FACE CARBON .....                   |            |            |            |
| 73  | 1   | STATIC/ROTARY FACE SC .....                |            |            |            |
| 74  | 1   | HOUSING DOUBLE SS 3.1 .....                |            |            |            |
| 75  | 1   | DRIVE RING ASSY INNER DBL .....            |            |            |            |
| 76  | 1   | STATIC FACE DOUBLE SC .....                |            |            |            |
| 77  | 1   | ROTARY FACE DOUBLE CARBON .....            |            |            |            |
| 78  | 1   | DRIVE RING ASSY OUTER DBL .....            |            |            |            |
| 79  | 1   | CIRCLIP DOUBLE HOUSING .....               |            |            |            |
| 80  | 1   | P RING EPDM .....                          |            |            |            |
| 81  | 1   | WASHER PTFE .....                          |            |            |            |
| 82  | 1   | P RING EPDM .....                          |            |            |            |
| 83  | 1   | P RING EPDM .....                          |            |            |            |
| 84  | 1   | O RING EPDM .....                          |            |            |            |
| 85  | 1   | O RING EPDM .....                          |            |            |            |
| 86  | 1   | O RING EPDM .....                          |            |            |            |
| 87  | 10  | COIL SPRING .....                          |            |            |            |
|     | 16  | COIL SPRING .....                          |            |            |            |
| 92  | 1   | O RING EPDM .....                          |            |            |            |

| Pos | Qty | Denomination                              | OS22/24/26 | OS32/34/36 | OS42/44/46 |
|-----|-----|---|------------|------------|------------|
|     |     |   | FPM        | FPM        | FPM        |
| □   |     | Complete Double Seal SC/C/SC/C FPM: ..... | 9650209572 | 9650309572 | 9650409572 |
| 71  | 1   | ROTARY HOLDER DBL3.1 EPDM .....           |            |            |            |
| 72  | 1   | STATIC FACE CARBON .....                  |            |            |            |
| 73  | 1   | STATIC/ROTARY FACE SC .....               |            |            |            |
| 74  | 1   | HOUSING DOUBLE SS 3.1 .....               |            |            |            |
| 75  | 1   | DRIVE RING ASSY INNER DBL .....           |            |            |            |
| 76  | 1   | STATIC FACE DOUBLE SC .....               |            |            |            |
| 77  | 1   | ROTARY FACE DOUBLE CARBON .....           |            |            |            |
| 78  | 1   | DRIVE RING ASSY OUTER DBL .....           |            |            |            |
| 79  | 1   | CIRCLIP DOUBLE HOUSING .....              |            |            |            |
| 80  | 1   | P RING FPM .....                          |            |            |            |
| 81  | 1   | WASHER PTFE .....                         |            |            |            |
| 82  | 1   | P RING FPM .....                          |            |            |            |
| 83  | 1   | P RING FPM .....                          |            |            |            |
| 84  | 1   | O RING FPM .....                          |            |            |            |
| 85  | 1   | O RING FPM .....                          |            |            |            |
| 87  | 10  | COIL SPRING .....                         |            |            |            |
|     | 16  | COIL SPRING .....                         |            |            |            |
| 92  | 1   | O RING FPM .....                          |            |            |            |

| Pos | Qty | Denomination                               | OS22/24/26 | OS32/34/36 | OS42/44/46 |
|-----|-----|--|------------|------------|------------|
|     |     |  | FFPM       | FFPM       | FFPM       |
| □   |     | Complete Double Seal SC/C/SC/C FFPM: ..... | 9650209573 | 9650309573 | 9650409573 |
| 71  | 1   | ROTARY HOLDER DBL3.1 EPDM .....            |            |            |            |
| 72  | 1   | STATIC FACE CARBON .....                   |            |            |            |
| 73  | 1   | STATIC/ROTARY FACE SC .....                |            |            |            |
| 74  | 1   | HOUSING DOUBLE SS 3.1 .....                |            |            |            |
| 75  | 1   | DRIVE RING ASSY INNER DBL .....            |            |            |            |
| 76  | 1   | STATIC FACE DOUBLE SC .....                |            |            |            |
| 77  | 1   | ROTARY FACE DOUBLE CARBON .....            |            |            |            |
| 78  | 1   | DRIVE RING ASSY OUTER DBL .....            |            |            |            |
| 79  | 1   | CIRCLIP DOUBLE HOUSING .....               |            |            |            |
| 80  | 1   | P RING FFPM .....                          |            |            |            |
| 81  | 1   | WASHER PTFE .....                          |            |            |            |
| 82  | 1   | P RING FFPM .....                          |            |            |            |
| 83  | 1   | P RING FFPM .....                          |            |            |            |
| 84  | 1   | O RING FFPM .....                          |            |            |            |
| 85  | 1   | O RING FFPM .....                          |            |            |            |
| 86  | 1   | O RING FFPM .....                          |            |            |            |
| 87  | 10  | COIL SPRING .....                          |            |            |            |
|     | 16  | COIL SPRING .....                          |            |            |            |
| 92  | 1   | O RING FFPM .....                          |            |            |            |

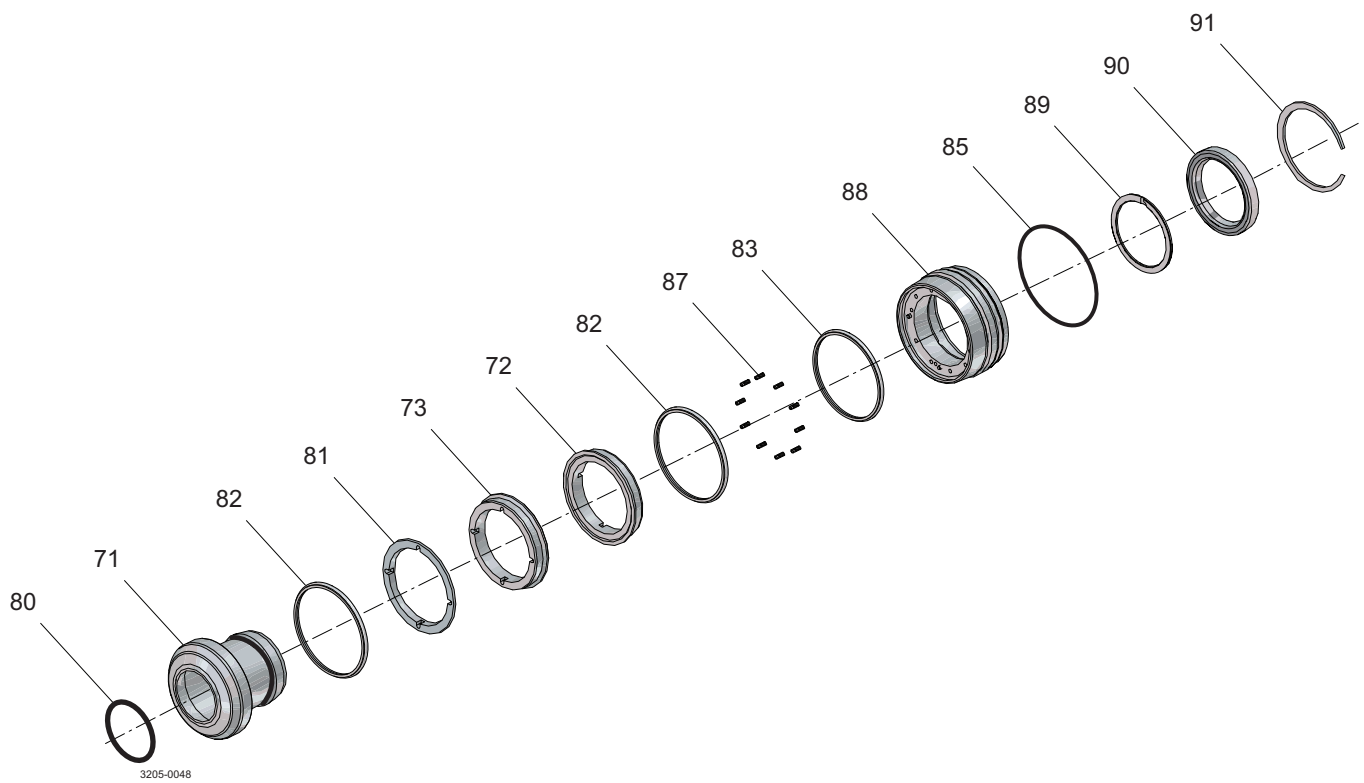


**Twin Screw Pump Range - Double Seal**

| Pos | Qty | Denomination                                | OS22/24/26 | OS32/34/36 | OS42/44/46 |
|-----|-----|---|------------|------------|------------|
|     |     |   | EPDM       | EPDM       | EPDM       |
| □   |     | Complete Double Seal SC/SC/SC/C EPDM: ..... | 9650209581 | 9650309581 | 9650409581 |
| 71  | 1   | ROTARY HOLDER DBL3.1 EPDM .....             |            |            |            |
| 72  | 1   | STATIC/ROTARY FACE SC .....                 |            |            |            |
| 73  | 1   | STATIC/ROTARY FACE SC .....                 |            |            |            |
| 74  | 1   | HOUSING DOUBLE SS 3.1 .....                 |            |            |            |
| 75  | 1   | DRIVE RING ASSY INNER DBL .....             |            |            |            |
| 76  | 1   | STATIC FACE DOUBLE SC .....                 |            |            |            |
| 77  | 1   | ROTARY FACE DOUBLE CARBON .....             |            |            |            |
| 78  | 1   | DRIVE RING ASSY OUTER DBL .....             |            |            |            |
| 79  | 1   | CIRCLIP DOUBLE HOUSING .....                |            |            |            |
| 80  | 1   | P RING EPDM .....                           |            |            |            |
| 81  | 1   | WASHER PTFE .....                           |            |            |            |
| 82  | 1   | P RING EPDM .....                           |            |            |            |
| 83  | 1   | P RING EPDM .....                           |            |            |            |
| 84  | 1   | O RING EPDM .....                           |            |            |            |
| 85  | 1   | O RING EPDM .....                           |            |            |            |
| 86  | 1   | O RING EPDM .....                           |            |            |            |
| 87  | 10  | COIL SPRING .....                           |            |            |            |
|     | 16  | COIL SPRING .....                           |            |            |            |
| 92  | 1   | O RING EPDM .....                           |            |            |            |

| Pos | Qty | Denomination                               | OS22/24/26 | OS32/34/36 | OS42/44/46 |
|-----|-----|--|------------|------------|------------|
|     |     |  | FPM        | FPM        | FPM        |
| □   |     | Complete Double Seal SC/SC/SC/C FPM: ..... | 9650209582 | 9650309582 | 9650409582 |
| 71  | 1   | ROTARY HOLDER DBL3.1 EPDM .....            |            |            |            |
| 72  | 1   | STATIC/ROTARY FACE SC .....                |            |            |            |
| 73  | 1   | STATIC/ROTARY FACE SC .....                |            |            |            |
| 74  | 1   | HOUSING DOUBLE SS 3.1 .....                |            |            |            |
| 75  | 1   | DRIVE RING ASSY INNER DBL .....            |            |            |            |
| 76  | 1   | STATIC FACE DOUBLE SC .....                |            |            |            |
| 77  | 1   | ROTARY FACE DOUBLE CARBON .....            |            |            |            |
| 78  | 1   | DRIVE RING ASSY OUTER DBL .....            |            |            |            |
| 79  | 1   | CIRCLIP DOUBLE HOUSING .....               |            |            |            |
| 80  | 1   | P RING FPM .....                           |            |            |            |
| 81  | 1   | WASHER PTFE .....                          |            |            |            |
| 82  | 1   | P RING FPM .....                           |            |            |            |
| 83  | 1   | P RING FPM .....                           |            |            |            |
| 84  | 1   | O RING FPM .....                           |            |            |            |
| 85  | 1   | O RING FPM .....                           |            |            |            |
| 86  | 1   | O RING FPM .....                           |            |            |            |
| 87  | 10  | COIL SPRING .....                          |            |            |            |
|     | 16  | COIL SPRING .....                          |            |            |            |
| 92  | 1   | O RING FPM .....                           |            |            |            |

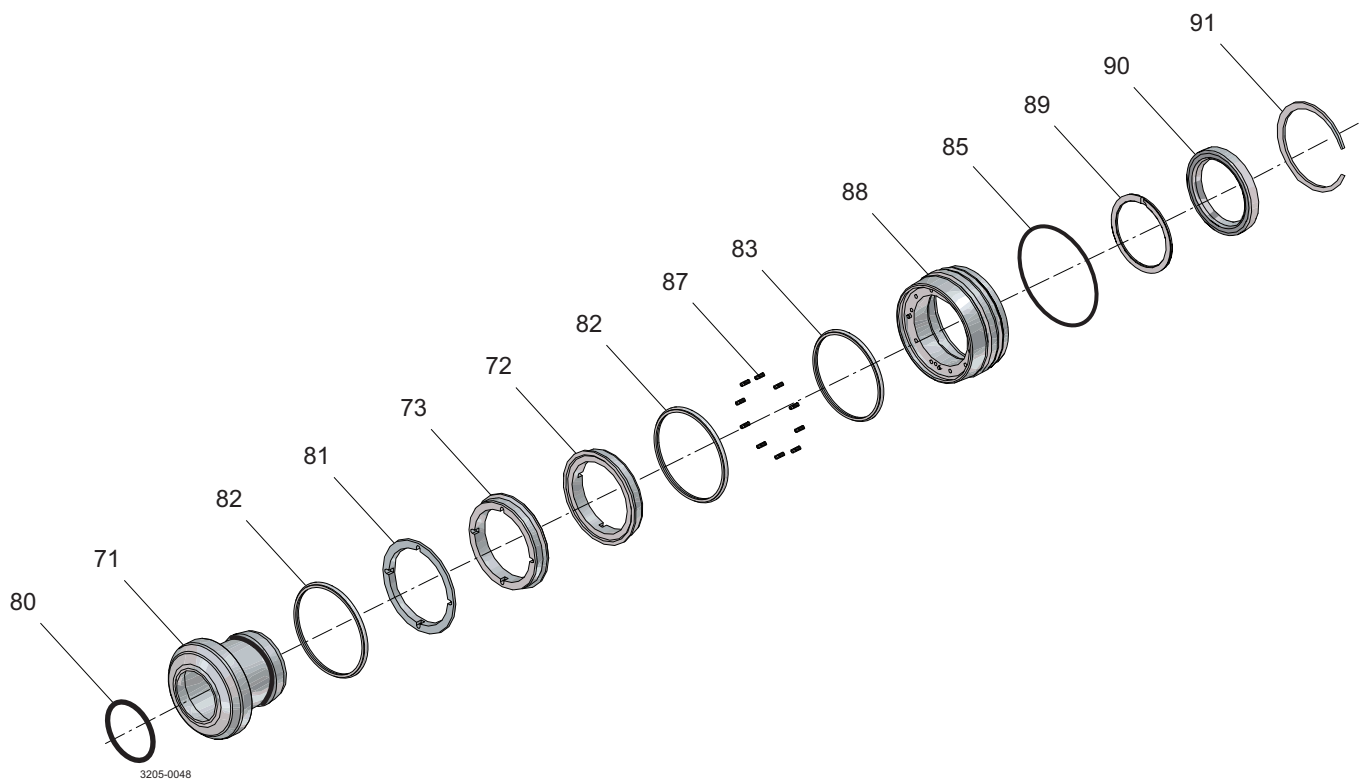
| Pos | Qty | Denomination                                | OS22/24/26 | OS32/34/36 | OS42/44/46 |
|-----|-----|---|------------|------------|------------|
|     |     |   | FFPM       | FFPM       | FFPM       |
| □   |     | Complete Double Seal SC/SC/SC/C FFPM: ..... | 9650209583 | 9650309583 | 9650409583 |
| 71  | 1   | ROTARY HOLDER DBL3.1 EPDM .....             |            |            |            |
| 72  | 1   | STATIC/ROTARY FACE SC .....                 |            |            |            |
| 73  | 1   | STATIC/ROTARY FACE SC .....                 |            |            |            |
| 74  | 1   | HOUSING DOUBLE SS 3.1 .....                 |            |            |            |
| 75  | 1   | DRIVE RING ASSY INNER DBL .....             |            |            |            |
| 76  | 1   | STATIC FACE DOUBLE SC .....                 |            |            |            |
| 77  | 1   | ROTARY FACE DOUBLE CARBON .....             |            |            |            |
| 78  | 1   | DRIVE RING ASSY OUTER DBL .....             |            |            |            |
| 79  | 1   | CIRCLIP DOUBLE HOUSING .....                |            |            |            |
| 80  | 1   | P RING FFPM .....                           |            |            |            |
| 81  | 1   | WASHER PTFE .....                           |            |            |            |
| 82  | 1   | P RING FFPM .....                           |            |            |            |
| 83  | 1   | P RING FFPM .....                           |            |            |            |
| 84  | 1   | O RING FFPM .....                           |            |            |            |
| 85  | 1   | O RING FFPM .....                           |            |            |            |
| 86  | 1   | O RING FFPM .....                           |            |            |            |
| 87  | 10  | COIL SPRING .....                           |            |            |            |
|     | 16  | COIL SPRING .....                           |            |            |            |
| 92  | 1   | O RING FFPM .....                           |            |            |            |





## Twin Screw Pump Range - Double Seal

|  |   | EPDM       | FPM        | FFPM       |
|--|---|------------|------------|------------|
| <b>Service Kits for Single Seal OSC SC/C</b>         |   |            |            |            |
| ✧  | Service Kit, OSC SC/C (OS22/24/26) .....          | 9650209601 | 9650209602 | 9650209603 |
| ✧  | Service Kit, OSC SC/C (OS32/34/36) .....          | 9650309601 | 9650309602 | 9650309603 |
| ✧  | Service Kit, OSC SC/C (OS42/44/46) .....          | 9650409601 | 9650409602 | 9650409603 |
| <b>Service Kits for Single Seal OSC SC/SC</b>        |   |            |            |            |
| ✧  | Service Kit, OSC SC/SC (OS22/24/26) .....         | 9650209611 | 9650209612 | 9650209613 |
| ✧  | Service Kit, OSC SC/SC (OS32/34/36) .....         | 9650309611 | 9650309612 | 9650309613 |
| ✧  | Service Kit, OSC SC/SC (OS42/44/46) .....         | 9650409611 | 9650409612 | 9650409613 |
| <b>Service Kits for Double Seal OSC SC/C v SC/C</b>  |   |            |            |            |
| □  | Service Kit, OSC SC/C v SC/C (OS22/24/26) .....   | 9650209671 | 9650209672 | 9650209673 |
| □  | Service Kit, OSC SC/C v SC/C (OS32/34/36) .....   | 9650309671 | 9650309672 | 9650309673 |
| □  | Service Kit, OSC SC/C v SC/C (OS42/44/46) .....   | 9650409671 | 9650409672 | 9650409673 |
| <b>Service Kits for Double Seal OSC SC/SC v SC/C</b> |   |            |            |            |
| □  | Service Kit, OSC SC/SC v SC/C (OS22/24/26) .....  | 9650209681 | 9650209682 | 9650209683 |
| □  | Service Kit, OSC SC/SC v SC/C (OS32/34/36) .....  | 9650309681 | 9650309682 | 9650309683 |
| □  | Service Kit, OSC SC/SC v SC/C (OS42/44/46) .....  | 9650409681 | 9650409682 | 9650409683 |
| <b>Service Kits for Wet End Elastomer kit</b>        |   |            |            |            |
| *  | Service Kit, Wet End Elastomer (OS22/24/26) ..... | 9650209701 | 9650209702 | 9650209703 |
| *  | Service Kit, Wet End Elastomer (OS32/34/36) ..... | 9650309701 | 9650309702 | 9650309703 |
| *  | Service Kit, Wet End Elastomer (OS42/44/46) ..... | 9650409701 | 9650409702 | 9650409703 |
| <b>Service Kits for Gearbox Elastomer kit</b>        |   |            |            |            |
| •  | Service Kit, Gearbox Elastomer (OS22/24/26) ..... | 9650209801 |            |            |
| •  | Service Kit, Gearbox Elastomer (OS32/34/36) ..... | 9650309801 |            |            |
| •  | Service Kit, Gearbox Elastomer (OS42/44/46) ..... | 9650409801 |            |            |



## Twin Screw Pump Range - Double Seal

---

|   |   | EPDM F     | FPM F      | FFPM F     |
|---|---|------------|------------|------------|
| <b>Service Kits for Single Flushed Seal OSC SC/C</b>  |   |            |            |            |
| ▲   | Service Kit, OSC SC/C (OS22/24/26) .....  | 9650209651 | 9650209652 | 9650209653 |
| ▲   | Service Kit, OSC SC/C (OS32/34/36) .....  | 9650309651 | 9650309652 | 9650309653 |
| ▲   | Service Kit, OSC SC/C (OS42/44/46) .....  | 9650409651 | 9650409652 | 9650409653 |
| <b>Service Kits for Single Flushed Seal OSC SC/SC</b> |   |            |            |            |
| ▲   | Service Kit, OSC SC/SC (OS22/24/26) ..... | 9650209661 | 9650209662 | 9650209663 |
| ▲   | Service Kit, OSC SC/SC (OS32/34/36) ..... | 9650309661 | 9650309662 | 9650309663 |
| ▲   | Service Kit, OSC SC/SC (OS32/34/36) ..... | 9650409661 | 9650409662 | 9650409663 |

**How to contact Alfa Laval**

Contact details for all countries are continually updated on our website.

Please visit [www.alfalaval.com](http://www.alfalaval.com) to access the information directly.

© Alfa Laval Corporate AB

This document and its contents is owned by Alfa Laval Corporate AB and protected by laws governing intellectual property and thereto related rights. It is the responsibility of the user of this document to comply with all applicable intellectual property laws. Without limiting any rights related to this document, no part of this document may be copied, reproduced or transmitted in any form or by any means (electronic, mechanical, photocopying, recording, or otherwise), or for any purpose, without the expressed permission of Alfa Laval Corporate AB. Alfa Laval Corporate AB will enforce its rights related to this document to the fullest extent of the law, including the seeking of criminal prosecution.